

BRIDGEABLE FOUR-CHANNEL
POWER AMPLIFIER

AMPLIFICADOR DE POTENCIA DE
CUATRO CANALES EN PUENTE

Owner's Manual

PRS-D4000F

Manual del Propietario

PIONEER CORPORATION
4-1, MEGURO 1-CHOME, MEGURO-KU, TOKYO 153-8654, JAPAN

PIONEER ELECTRONICS (USA) INC.
P.O. Box 1540, Long Beach, California 90801-1540, U.S.A.
TEL: (800) 421-1404

PIONEER EUROPE NV
Haven 1087, Keetberglaan 1, B-9120 Melsele, Belgium
TEL: (0) 3/570.05.11

PIONEER ELECTRONICS ASIACENTRE PTE. LTD.
253 Alexandra Road, #04-01, Singapore 159936
TEL: 65-6472-7555

PIONEER ELECTRONICS AUSTRALIA PTY. LTD.
178-184 Boundary Road, Braeside, Victoria 3195, Australia
TEL: (03) 9586-6300

PIONEER ELECTRONICS OF CANADA, INC.
300 Allstate Parkway, Markham, Ontario L3R 0P2, Canada
TEL: 1-877-283-5901

PIONEER ELECTRONICS DE MEXICO, S.A. de C.V.
Blvd.Manuel Avila Camacho 138 10 piso
Col.Lomas de Chapultepec, Mexico, D.F. 11000
TEL: 55-9178-4270

Published by Pioneer Corporation.
Copyright © 2005 by Pioneer Corporation.
All rights reserved.

Publicado por Pioneer Corporation.
Copyright © 2005 Pioneer Corporation.
Todos los derechos reservados.

Printed in China
Impreso na China
<YRD5067-A/U> ES

Before Using This Product

<ENGLISH>

Thank you for purchasing this PIONEER product. Before attempting operation, be sure to read this manual.

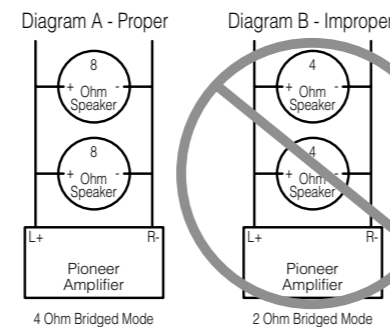
In case of trouble

When the unit does not operate properly, contact your dealer or the nearest authorized PIONEER Service Station.

CAUTION

Never replace the fuse with one of greater value or rating than the original fuse. Use of an improper fuse could result in overheating and smoke and could cause damage to the product and injury including burns.

CAUTION



Do NOT install or use your Pioneer amplifier by wiring speakers rated at 4 Ohm (or lower) in parallel to achieve a 2 Ohm (or lower) bridged mode (Diagram B). Amplifier damage, smoke, and overheating could result from improper bridging. The amplifier surface could also become hot to the touch and minor burns could result. To properly install or use a bridged mode for a two-channel amplifier and achieve a 4 Ω load, wire two 8 Ω speakers in parallel with Left + and Right – (Diagram A) or use a single 4 Ω speaker. For a four-channel amplifier, follow the speaker output connection diagram for bridging as shown on the back of your amplifier, and wire two 8 Ω speakers in parallel to achieve a 4 Ω load

or use a single 4 Ω speaker per channel. If you have any questions or concerns, please contact your local authorized Pioneer dealer or call Pioneer customer service.

WARNING

- Always use the special red battery and ground wire [RD-223], which is sold separately. Connect the battery wire directly to the car battery positive terminal (+) and the ground wire to the car body.
- Do not touch the amplifier with wet hands. Otherwise you may get an electric shock. Also, do not touch the amplifier when it is wet.
- For traffic safety and to maintain safe driving conditions, keep the volume low enough so that you can still hear normal traffic sound.
- Check the connections of the power supply and speakers if the fuse of the separately sold battery wire or the amplifier fuse blows. Detect the cause and solve the problem, then replace the fuse with another one of the same size and rating.
- To prevent malfunction of the amplifier and speakers, the protective circuit will cut the power supply to the amplifier (sound will stop) when an abnormal condition occurs. In such a case, switch the power to the system OFF and check the connection of the power supply and speakers. Detect the cause and solve the problem.
- Contact the dealer if you cannot detect the cause.
- To prevent an electric shock or short-circuit during connection and installation, be sure to disconnect the negative (–) terminal of the battery beforehand.
- Confirm that no parts are behind the panel when drilling a hole for installation of the amplifier. Be sure to protect all cables and important equipment such as fuel lines, brake lines and the electrical wiring from damage.
- DO NOT allow amplifier to come into contact with liquids due to, for example, the location where the amplifier is installed. Electrical shock could result. Also, amplifier and speaker damage, smoke, and overheating could result from contact with liquids. In addition, the amplifier surface and the surface of any attached speakers could become hot to the touch and minor burns could result.

Setting the Unit

<ENGLISH>

Terminal Cover
Before setting up the unit, unfasten the screws with a 4 mm hexagonal wrench (not supplied) and remove the terminal cover.

LPF (Low-Pass Filter)/HPF (High-Pass Filter) Select Switch

Set the LPF/HPF select switch as follows according to the type of speaker that is connected to the speaker output connector and the car stereo system:

LPF/HPF Select Switch	Audio frequency range to be output	Speaker Type	Remarks
LPF (Left)	* — 40 Hz to 120 Hz	Subwoofer	Connect a subwoofer.
OFF (Center)	Full range	Full range	
HPF (Right)	* 40 Hz to 120 Hz —	Full range	Use if you want to cut the very low frequency range* because it is not necessary for the speakers you are using.

* See the “Cut Off Frequency Control” section.

Cut Off Frequency Control
If the LPF/HPF select switch is set to LPF or HPF, you can select a cut off frequency from 40 Hz to 120 Hz.

Input Switch
It is possible to input from a car stereo external output (subwoofer output) or a car stereo speaker output. When using an external output (subwoofer output), slide the switch to the left. For connection instructions, see the “Connection Diagram” section. When using a speaker output, slide the switch to the right. In this case, it is necessary to use the supplied speaker input wire with RCA pin cord. For details, see the “Using the Speaker Input” section.

BFC (Beat Frequency Control) Switch
BFC switch is on the bottom of the unit. If you hear a beat while listening to an AM broadcast with your car stereo, change the BFC switch using a small standard tip screwdriver.

Power Indicator
The power indicator lights when the power is switched on.

Input Select Switch
For two-channel input, slide this switch to the left. For four-channel input, slide this switch to the right.

Gain Control
Adjusting the gain controls A and B will help match the output of the car stereo to the Pioneer amplifier. Normally, set the gain controls to the NORMAL position. If the output is low, even when the volume of the car stereo is turned up, turn these controls clockwise. If there is distortion when the volume of the car stereo is turned up, turn these controls counter-clockwise.

- If you only use one input plug, set the gain controls for speaker outputs A and B to the same position.
- When using with an RCA equipped car stereo (standard output of 500 mV), set to the NORMAL position. When using with an RCA equipped Pioneer car stereo with max. output of 4 V or more, adjust level to match the car stereo output level.

CAUTION

- Disconnect the negative (-) terminal of the battery to avoid the risk of short-circuit and damage to the unit.
- Secure the wiring with cable clamps or adhesive tape. To protect the wiring, wrap adhesive tape around it where they lie against metal parts.
- Do not route wires where they will get hot, for example where the heater will blow over them. If the insulation heats up, it may become damaged, resulting in a short-circuit through the vehicle body.

- Make sure that wires will not interfere with moving parts of the vehicle, such as the gearshift, handbrake or seat sliding mechanism.
- Do not shorten any wires. Otherwise the protection circuit may fail to work when it should.
- Never feed power to other equipment by cutting the insulation of the power supply wire to tap from the wire. The current capacity of the wire will be exceeded, causing overheating.
- Never replace the fuse with one of greater value or rating than the original fuse. Use of an improper fuse could result in overheating and smoke and could cause damage to the product and injury including burns.

CAUTION:

To prevent damage and/or injury

- Do not ground the speaker wire directly or connect a negative (-) lead wire for several speakers.
- This unit is for vehicles with a 12-volt battery and negative grounding. Before installing it in a recreational vehicle, truck or bus, check the battery voltage.
- If the car stereo is kept on for a long time while the engine is at rest or idling, the battery may go dead. Turn the car stereo off when the engine is at rest or idling.
- If the system remote control wire of the amplifier is connected to the power terminal through the ignition switch (12 V DC), the amplifier will always be on when the ignition is on— regardless of whether the car stereo is on or off. Because of this, the battery could go dead if the engine is at rest or idling.

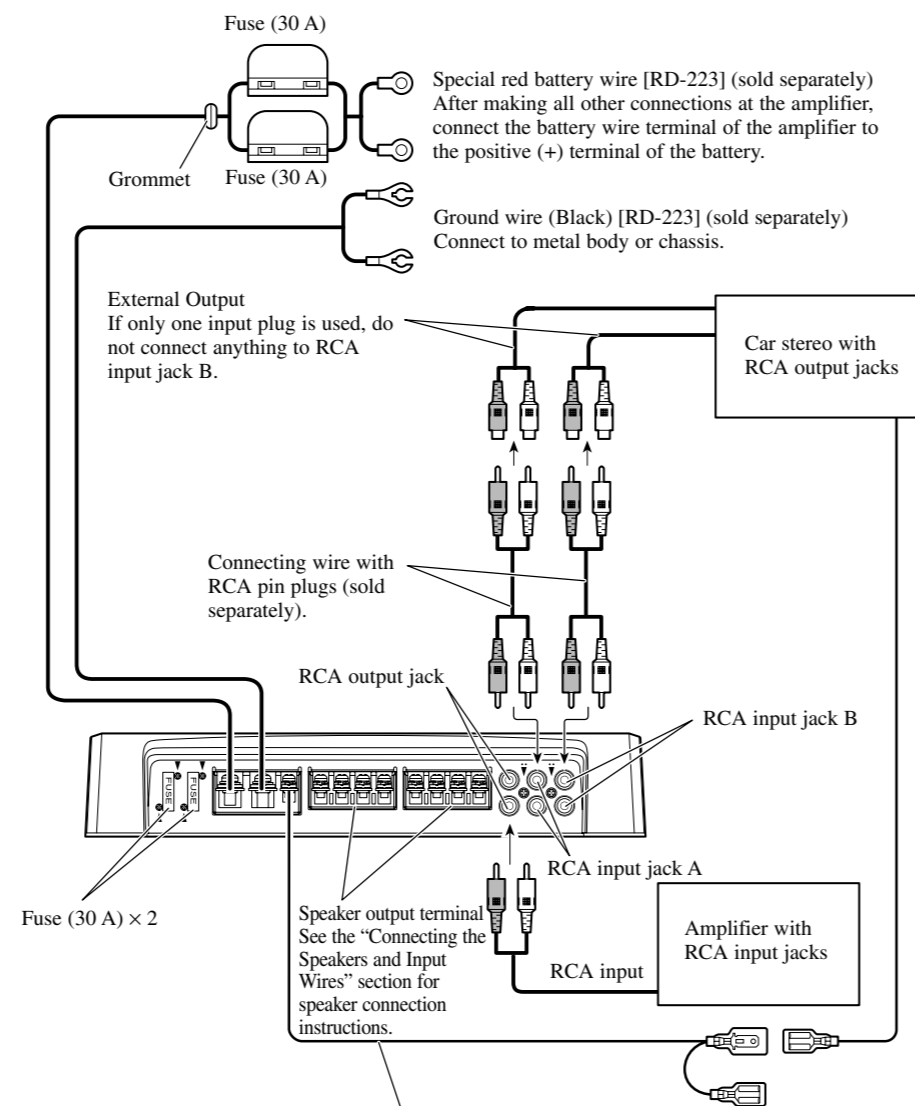
- Speakers to be connected to the amplifier should conform with the standards listed below. If they do not conform, they may catch fire, emit smoke or become damaged. The speaker impedance must be 2 to 8 ohms. But in case of two-channel and other bridge connections, the speaker impedance must be 4 to 8 ohms.
- Install and route the separately sold battery wire as far away as possible from the speaker wires. Install and route the separately sold battery wire, ground wire, speaker wires and the amplifier as far away as possible from the antenna, antenna cable and tuner.

- Cords for this product and those for other products may be different colors even if they have the same function. When connecting this product to another product, refer to the supplied Installation manuals of both products and connect cords that have the same function.

Speaker Channel	Speaker Type	Power
Four-channel	Subwoofer	Nominal input: Min. 75 W
	Other than subwoofer	Max. input: Min. 150 W
Two-channel	Subwoofer	Nominal input: Min. 300 W
	Other than subwoofer	Max. input: Min. 600 W
Three-channel	Subwoofer	Nominal input: Min. 75 W
Speaker output A	Other than subwoofer	Max. input: Min. 150 W
Three-channel	Subwoofer	Nominal input: Min. 300 W
Speaker output B	Other than subwoofer	Max. input: Min. 600 W

Connection Diagram

- This diagram shows connections using external output (subwoofer output). Slide the input switch to the left.
- When you connect with speaker output, connections defers from the diagram. For details, see the “Using the Speaker Input” section. In either case, you need to set the input switch. For details, see the “Setting the Unit” section.



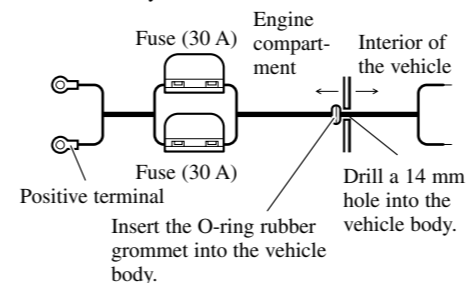
System remote control wire (sold separately)
Connect the male terminal of this wire to the system remote control terminal of the car stereo (SYSTEM REMOTE CONTROL). The female terminal can be connected to the auto-antenna relay control terminal. If the car stereo does not have a system remote control terminal, connect the male terminal to the power terminal through the ignition switch.

Connecting the Power Terminal

- Always use the special red battery and ground wire [RD-223], which is sold separately. Connect the battery wire directly to the car battery positive terminal (+) and the ground wire to the car body.

1. Pass the battery wire from the engine compartment to the interior of the vehicle.

- After making all other connections to the amplifier, connect the battery wire terminal of the amplifier to the positive (+) terminal of the battery.

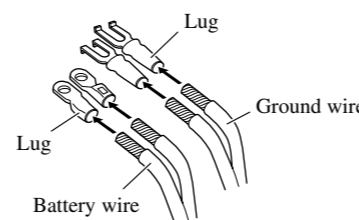


2. Twist the battery wire, ground wire and system remote control wire.



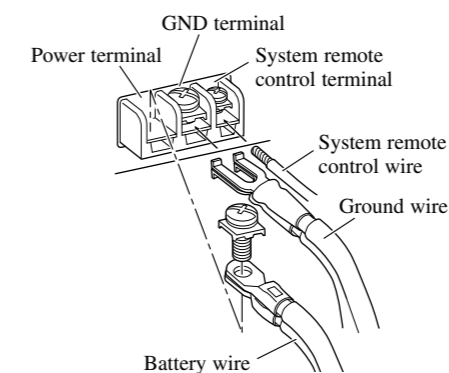
3. Attach lugs to wire ends. Lugs not supplied.

- Use pliers, etc., to crimp lugs to wires.



4. Connect the wires to the terminal.

- Fix the wires securely with the terminal screws.

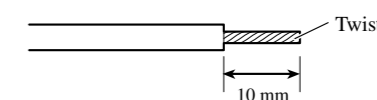


WARNING

Failure to securely fasten the battery wire to the terminal using the terminal screws could cause the terminal area to overheat and could result in damage and injury including minor burns.

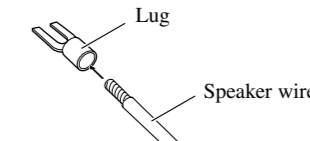
Connecting the Speaker Output Terminals

1. Expose the end of the speaker wires using nippers or a cutter by about 10 mm and twist.



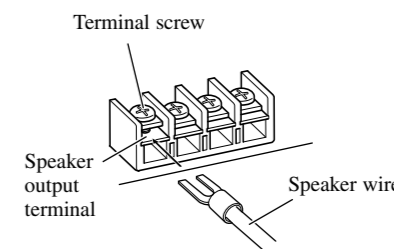
2. Attach lugs to speaker wire ends. Lugs not supplied.

- Use pliers, etc., to crimp lugs to wires.



3. Connect the speaker wires to the speaker output terminals.

- Fix the speaker wires securely with the terminal screws.



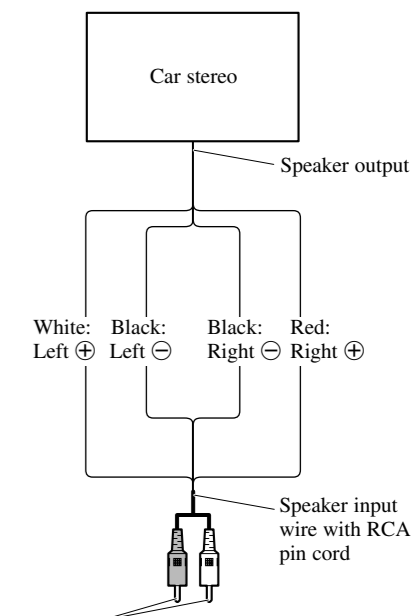
Using the Speaker Input

Connect the car stereo speaker output wires to the amplifier using the supplied speaker input wire with RCA pin cord.

- Slide the input switch to the right.

- For four-channel input, connect two speaker input wires with RCA pin cord to RCA input jack A and B. Be sure to slide the input select switch to the right.
- For two-channel input, connect the speaker input wire with RCA pin cord to RCA input jack A. Do not connect anything to RCA input jack B. Be sure to slide the input select switch to the left.

Connections when using the speaker input



To RCA input jack of this unit.

- As a result of connecting the car stereo speaker output wire to the amplifier, the power of the amplifier is turned on automatically when the car stereo is turned on. It is not necessary to connect the system remote control wire in this case.

Note:

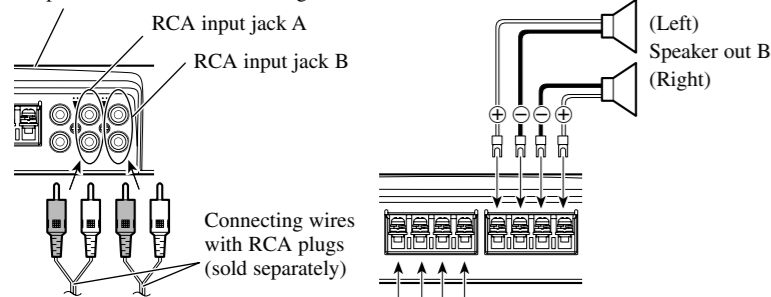
- Connect the system remote control wire when the power of the amplifier is not to be turned on when the car stereo is turned on.

Connecting the Speakers and Input Wires

The speaker output mode can be four-channel, three-channel (stereo + mono) or two-channel (stereo, mono). Connect the speaker leads to suit the mode according to the figures shown below.

Four-channel

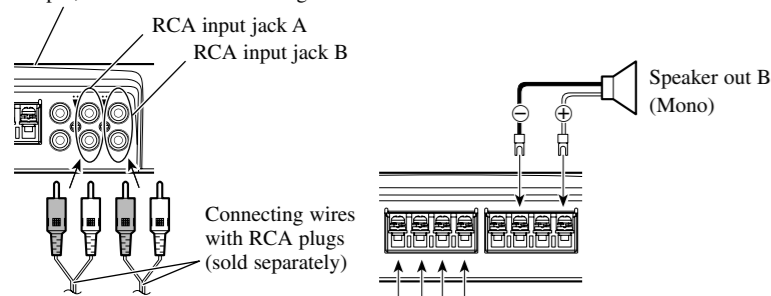
Input select switch is on the top of the unit. For two-channel input, slide this switch to the left. For four-channel input, slide this switch to the right.



From car stereo (RCA output)
If only one input plug is used, such as when the car stereo has only one output (RCA output), connect the plug to RCA input jack A, but do not connect a plug to RCA input jack B.

Three-channel

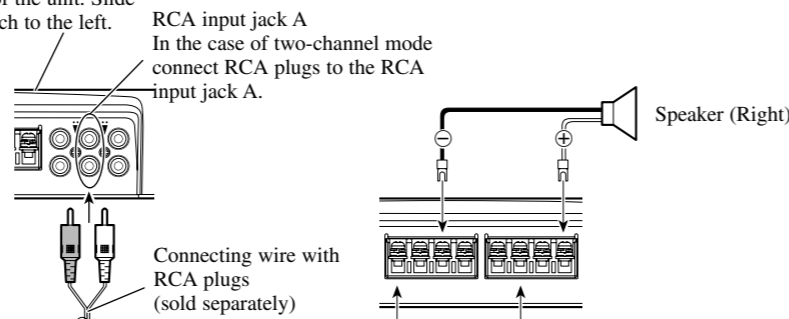
Input select switch is on the top of the unit. For two-channel input, slide this switch to the left. For four-channel input, slide this switch to the right.



From car stereo (RCA output)
If only one input plug is used, such as when the car stereo has only one output (RCA output), connect the plug to RCA input jack A, but do not connect a plug to RCA input jack B.

Two-channel (Stereo)

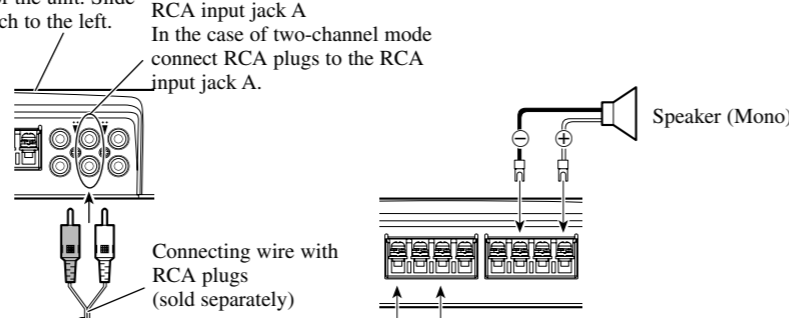
Input select switch is on the top of the unit. Slide this switch to the left.



From car stereo (RCA output)

Two-channel (Mono)

Input select switch is on the top of the unit. Slide this switch to the left.



From car stereo (RCA output)

CAUTION

- Do not install in:
 - Places where it could injure the driver or passengers if the vehicle stops suddenly.
 - Places where it may interfere with the driver, such as on the floor in front of the driver's seat.
- Make sure that wires are not caught in the sliding mechanism of the seats, resulting in a short-circuit.
- Confirm that no parts are behind the panel when drilling a hole for installation of the amplifier. Protect all cables and important equipment such as fuel lines, brake lines and electrical wiring from damage.
- Install tapping screws in such a way that the screw tip does not touch any wire. This is important to prevent wires from being cut by vibration of the car, which can result in fire.
- DO NOT allow amplifier to come into contact with liquids due to, for example, the location where the amplifier is installed. Electrical shock could result. Also, amplifier and speaker damage, smoke, and overheating could result from contact with liquids. In addition, the amplifier surface and the surface of any attached speakers could become hot to the touch and minor burns could result.
- To ensure proper installation, use the supplied parts in the manner specified. If any parts other than the supplied ones are used, they may damage internal parts of the amplifier, or they may become loose causing the amplifier to shut down.
- Never replace the fuse with one of greater value or rating than the original fuse. Use of an improper fuse could result in overheating and smoke and could cause damage to the product and injury including burns.

CAUTION:

To prevent malfunction and/or injury

- To ensure proper heat dissipation of the amplifier, be sure of the following during installation.
 - Allow adequate space above the amplifier for proper ventilation.
 - Do not cover the amplifier with a floor mat or carpet.
- DO NOT allow amplifier to come into contact with liquids due to, for example, the location where the amplifier is installed. Electrical shock could result. Also, amplifier and speaker damage, smoke, and overheating could result from contact with liquids. In addition, the amplifier surface and the surface of any attached speakers could become hot to the touch and minor burns could result.

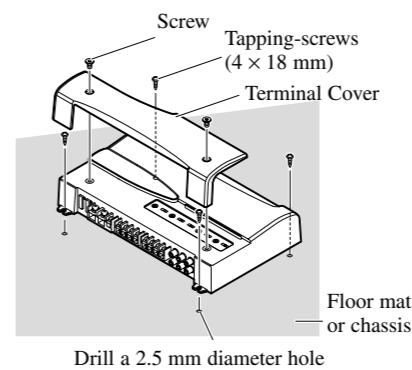
- Do not install the amplifier on unstable places such as the spare tire board.
- The best location for installation differs with the car model and installation location. Secure the amplifier at a sufficiently rigid location.
- Make temporary connections first and check that the amplifier and the system operate properly.
- After installing the amplifier, confirm that the spare tire, jack and tools can be easily removed.

Example of installation on the floor mat or on the chassis

- Place the amplifier where it is to be installed. Insert the supplied tapping screws (4 × 18 mm) into the screw holes. Push on the screws with a screwdriver so they make marks where the installation holes are to be located.
- Drill 2.5 mm diameter holes at the point marked, and install the amplifier, either on the carpet or directly to the chassis.

Replacing the terminal cover

- Align the unit and terminal cover, and insert the screw.
- Tighten the screw with a 4 mm hexagonal wrench (not supplied).



Power source	14.4 V DC (10.8 V to 15.1 V allowable)
Grounding system	Negative type
Current consumption	27.7 A (at continuous power, 4 Ω)
Average current drawn*	10.4 A (4 Ω for four channels) 20.2 A (4 Ω for two channels) 20.2 A (2 Ω for four channels)
Fuse	30 A × 2
Dimensions	304 (W) × 56 (H) × 202 (D) mm
Weight	3.0 kg (Leads for wiring not included)
Maximum power output	150 W × 4 (4 Ω) / 600 W × 2 (4 Ω)
Continuous power output	75 W × 4 (at 14.4 V, 4 Ω, 20 Hz to 20 kHz 1.0% THD) 300 W × 2 (at 14.4 V, 4 Ω, 1 kHz 1.0% THD) 150 W × 4 (at 14.4 V, 2 Ω, 1 kHz 1.0% THD)
Load impedance	4 Ω (2 Ω to 8 Ω allowable) (Bridge connection: 4 Ω to 8 Ω allowable)
Frequency response	10 Hz to 40 kHz (+0 dB, -3 dB)
Signal-to-noise ratio	100 dB (IEC-A network)
Distortion	0.005% (10 W, 1 kHz)
Separation	70 dB (1 kHz)
Low pass filter	Cut off frequency: 40 Hz to 120 Hz Cut off slope: -12 dB/oct
High pass filter	Cut off frequency: 40 Hz to 120 Hz Cut off slope: -12 dB/oct
Gain control	RCA: 400 mV to 6.5 V Speaker: 1.6 V to 26 V
Maximum input level / impedance	RCA: 6.5 V / 22 kΩ Speaker: 26 V / 90 kΩ

Note:

- Specifications and the design are subject to possible modification without notice due to improvements.
- *Average current drawn
 - The average current drawn is nearly the maximum current drawn by this unit when an audio signal is input. Use this value when working out total current drawn by multiple power amplifiers.

Antes de usar este producto

<ESPAÑOL>

Muchas gracias por la adquisición de este producto PIONEER. Antes de tratar de operarlo, lea atentamente este manual.

En caso de desperfectos

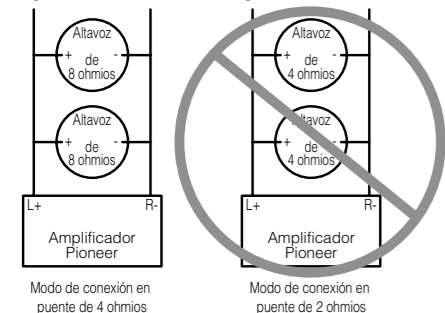
Si esta unidad no funciona correctamente, póngase en contacto con su distribuidor o con el Centro de Servicio PIONEER autorizado más cercano.

PRECAUCION

No reemplace nunca el fusible por uno con un valor de régimen mayor que el fusible original. El uso de un fusible inadecuado podría causar el sobrecalentamiento o humo, así como podría causar daños al producto y lesiones, incluyendo quemaduras.

PRECAUCION

Diagrama A - Correcto Diagrama B - Incorrecto



NO instale o use el amplificador Pioneer mediante la conexión de los cables de las bocinas de 4 ohmios nominales (o menos) en paralelo para lograr un modo en puente de 2 ohmios (o menos) (Diagrama B).

Realizar un puente incorrecto podría resultar en un sobrecalentamiento y daño del amplificador, así como en un desprendimiento de humo del mismo. La superficie del amplificador podría también ponerse caliente al tacto y resultar en quemaduras ligeras.

Para instalar o usar adecuadamente el modo de puente para un amplificador de dos canales y lograr una carga de 4 Ω, conecte los cables de dos bocinas de 8 Ω en paralelo con Izquierdo + y Derecho - (Diagrama A), o use una sola bocina de 4 Ω. Para un amplificador de cuatro canales, siga el diagrama de la conexión de

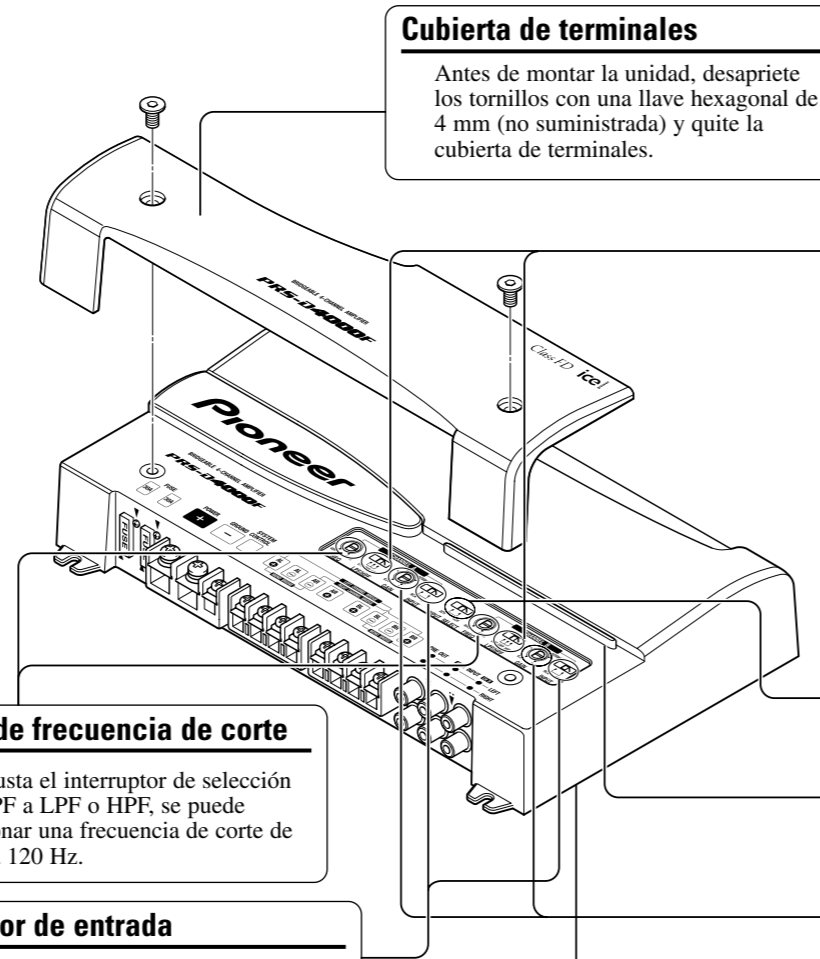
salida de la bocina para crear un puente como se muestra en la parte posterior del amplificador, y conecte los cables de dos bocinas de 8 Ω en paralelo para lograr una carga de 4 Ω o use una sola bocina de 4 Ω por canal. Si tiene preguntas o dudas, comuníquese con el distribuidor Pioneer autorizado en su localidad o llame al Servicio al Cliente de Pioneer.

ADVERTENCIA

- Siempre utilice el cable de batería rojo especial y el cable de tierra [RD-223], vendidos separadamente. Conecte el cable de batería directamente al terminal positivo de la batería del vehículo (+) y el cable de tierra a la carrocería del vehículo.
- No toque en el amplificador con las manos mojadas. Caso contrario, usted puede llevar un choque eléctrico. Igualmente, no toque en el amplificador cuando esté mojado.
- Para seguridad del tráfico y para mantener condiciones de conducción seguras, mantenga el volumen suficientemente bajo de manera que aun se pueda escuchar el sonido del tráfico normal.
- Verifique las conexiones del suministro de energía y altavoces para ver si el fusible del cable de batería vendido separadamente o el fusible del amplificador se queman. Detecte la causa y solución el problema, y reemplace el fusible con un otro del mismo tamaño y régimen.
- Para evitar mal funcionamiento del amplificador y altavoces, el circuito de protección cortará la alimentación al amplificador (el sonido se detendrá) cuando se produzca una situación anormal. En tal caso, apague el sistema y verifique la conexión de la alimentación y altavoces. Detecte la causa y resuelva el problema.
- Contacte a su distribuidor si no puede detectar la causa.
- Para evitar choques eléctricos o cortocircuitos durante la conexión e instalación, asegúrese de desconectar el terminal negativo (-) de la batería antes de proceder.
- Confirme que ninguna parte quede detrás del panel, cuando perfore un orificio para la instalación del amplificador. Asegúrese de proteger todos los cables y equipos importantes, tales como líneas de combustibles, líneas de frenos y el cableado eléctrico.
- NO permita que el amplificador entre en contacto con líquidos debido a, por ejemplo, la localización donde el amplificador está instalado. Esto podría causar una sacudida eléctrica. El contacto con líquidos también podría causar daños y sobrecalentamiento al amplificador e altavoces. Además, la superficie del amplificador y la superficie de cualquier altavoz instalado también podrían ponerse muy calientes al tacto, pudiendo causar pequeñas quemaduras.

Ajuste de esta unidad

<ESPAÑOL>



Cubierta de terminales

Antes de montar la unidad, desapriete los tornillos con una llave hexagonal de 4 mm (no suministrada) y quite la cubierta de terminales.

Control de frecuencia de corte

Si se ajusta el interruptor de selección LPF/HPF a LPF o HPF, se puede seleccionar una frecuencia de corte de 40 Hz a 120 Hz.

Interruptor de entrada

Es posible introducir desde la salida exterior de un equipo estéreo de automóvil (salida de altavoz de graves secundario) o desde la salida de altavoz de un equipo estéreo de automóvil. Cuando utilice una salida exterior (salida de altavoz de graves secundario), deslice el interruptor hacia la izquierda. Para las instrucciones de instalación, consulte la sección "Diagrama de conexión". Cuando utilice una salida de altavoz, deslice el interruptor hacia la derecha. En este caso, es necesario utilizar el hilo de entrada de altavoz suministrado con el cable con conector RCA. Para los detalles, consulte la sección "Uso de la entrada de altavoz".

Interruptor BFC (Control de la frecuencia de batido)

El interruptor BFC se encuentra en la parte inferior de la unidad. Si se oye un batido durante la escucha de una transmisión AM con el equipo estéreo de automóvil, cambie el interruptor BFC utilizando un destornillador pequeño.

Interruptor de selección LPF (Filtro de paso bajo)/HPF (Filtro de paso alto)

Ajuste el interruptor de selección LPF/HPF de la manera siguiente, de acuerdo al tipo de altavoz que se encuentra conectado al conector de salida de altavoz y al sistema estéreo de automóvil:

Interruptor de selección LPF/HPF	Gama de frecuencia de audio a ser generada	Tipo de altavoz	Observaciones
LPF (izquierda)	* — 40 Hz a 120 Hz	Altavoz de graves secundario	Conecte a un altavoz de graves secundario.
OFF (central)	Gama completa	Gama completa	
HPF (derecha)	* 40 Hz a 120 Hz —	Gama completa	Utilice si desea cortar la gama de frecuencia* muy baja debido a que no es necesaria para el altavoz que está usando.

* Consulte a "Control de frecuencia de corte".

Indicador de alimentación

El indicador de alimentación se ilumina cuando la unidad se encuentra activada.

Interruptor de selección de entrada

Para la entrada de dos canales, deslice este interruptor hacia la izquierda. Para la entrada de cuatro canales, deslice este interruptor hacia la derecha.

Control de ganancia

El ajuste de los controles de ganancia A y B le ayuda a igualar la salida del equipo estéreo para automóvil al amplificador Pioneer. Normalmente, ajuste los controles de ganancia a la posición NORMAL. Si la potencia de salida está baja aún cuando se aumenta el volumen del equipo estéreo del automóvil, gire esos controles a la derecha. Si se produce distorsión cuando se aumenta el volumen del equipo estéreo de automóvil, gire los controles a la izquierda.

- Si se usa solamente un enchufe de entrada, ajuste los controles de ganancia para las salidas de altavoz A y B a la misma posición.
- Cuando se usa un estéreo de automóvil equipado con RCA (salida estándar de 500 mV), ajuste a la posición NORMAL. Cuando use con un estéreo de automóvil Pioneer equipado con RCA con una salida máxima de 4 V o más, ajuste el nivel para adecuarse al nivel de salida del estéreo del automóvil.

PRECAUCIÓN

- Quite el terminal negativo (-) de la batería para evitar riesgo de cortocircuitos y daño a la unidad.
- Asegure el alambrado con abrazaderas de cable o cinta adhesiva. Para proteger el alambrado, envuelva cinta adhesiva alrededor de ellos en donde contacta con partes metálicas.
- No tienda cables por donde puedan calentarse, por ejemplo donde el calentador sople sobre ellos. Si la aislación se calienta, podría resultar dañada, resultando en cortocircuito a través de la carrocería del vehículo.
- Asegúrese que los alambres no interfieran con partes móviles del vehículo como la palanca de cambios, el freno de mano o el mecanismo de deslizamiento de los asientos.

- No corte ningún cable. De otra manera, el circuito de protección podría no funcionar cuando debiera.
- Nunca alimente otro equipo cortando la aislación del cable de alimentación y conectándolo al cable. La capacidad de corriente del cable será excedida, causando sobrecalentamiento.
- No reemplace nunca el fusible por uno con un valor de régimen mayor que el fusible original. El uso de un fusible inadecuado podría causar el sobrecalentamiento o humo, así como podría causar daños al producto y lesiones, incluyendo quemaduras.

PRECAUCIÓN:

Para evitar daños y/o lesiones

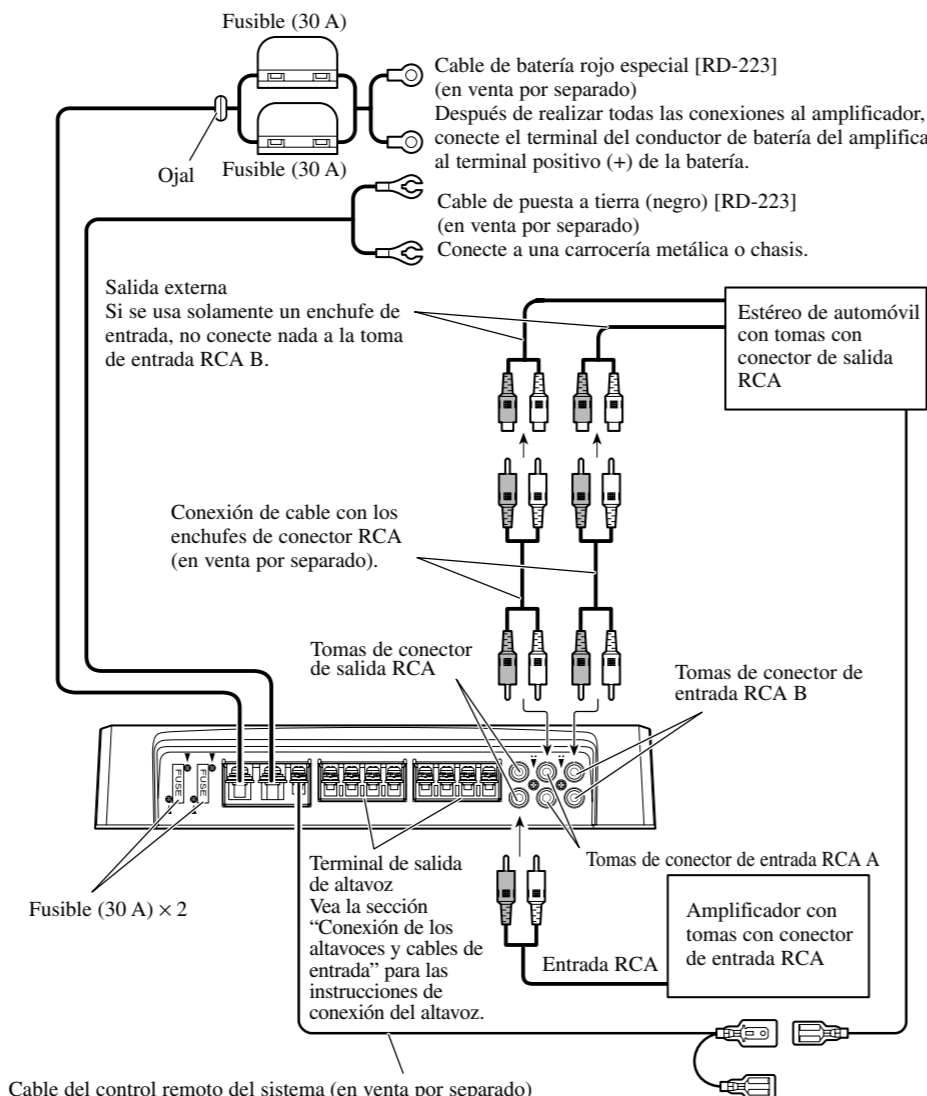
- No conecte a tierra (masa) el cable del altavoz directamente ni conecte un cable negativo (-) a varios altavoces.
- Esta unidad es para vehículos con una batería de 12 voltios y terminal negativo a tierra. Antes de instalar en un vehículo de recreación, camión u ómnibus, verifique el voltaje de la batería.
- Si el sistema estereofónico del coche está funcionando por un largo período de tiempo mientras el motor permanece inactivo o en marcha al ralentí, la batería puede agotarse. Apague el estéreo de automóvil cuando el motor se encuentre funcionando en marcha al ralentí o permanece inactivo.
- Si el cable del control remoto del sistema del amplificador se conecta al terminal de alimentación a través del interruptor de encendido (12 V de CC), el amplificador estará siempre activado cuando el encendido está activado, sin considerar de si el estéreo de automóvil se encuentra activado o desactivado. Debido a esto, la batería puede agotarse si deja el motor funcionando en marcha al ralentí o permanece inactivo.

- Los altavoces a ser conectados al amplificador deben estar conforme con las normas listadas debajo. Si no cumplen con las normas, pueden combustionar, emitir humos o dañarse. El impedimiento altavoz debe estar de 2 a 8 ohms, pero en caso de que dos canales y otros puentes conecten, el impedimiento de altavoz debe estar de 4 a 8 ohms.
- Instale y coloque el cable de batería vendido separadamente lo más alejado posible de los cables de los altavoces. Instale y coloque el cable de batería y cable de tierra vendidos separadamente, los cables de los altavoces, y el amplificador lo más alejados posible de la antena, cable de antena y sintonizador.

- Los cables para esta unidad y aquéllas para las unidades pueden ser de colores diferentes aun si tienen la misma función. Cuando se conecta esta unidad a otra, refiérase a los manuales de instalación de ambas unidades y conecte los cables que tienen la misma función.

Diagrama de conexión

- Este diagrama muestra las conexiones utilizando la salida exterior (salida de altavoz de graves secundario). Deslice el interruptor de entrada hacia la izquierda.
- Cuando conecte con la salida de altavoz, las conexiones difieren de las indicadas en el diagrama. Para los detalles, consulte la sección "Uso de la entrada de altavoz". En cualquier caso, se requiere ajustar el interruptor de entrada. Para los detalles, consulte la sección "Ajuste de esta unidad".



Cable del control remoto del sistema (en venta por separado)
 Conecte el terminal macho de este hilo al terminal de control remoto de sistema del equipo estéreo para automóvil (SYSTEM REMOTE CONTROL). El terminal hembra puede ser conectado al terminal de control del relé de antena. Si el estéreo de automóvil no tiene un terminal de control remoto del sistema, conecte el terminal macho al terminal de alimentación a través del interruptor de encendido.

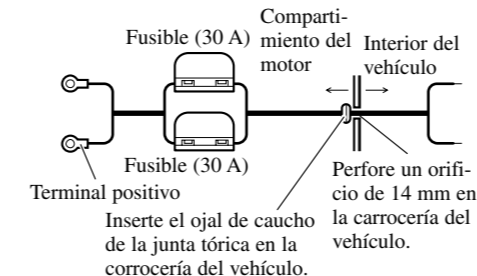
Canal de altavoces	Tipo de altavoz	Alimentación
Cuatro canales	Altavoz de graves secundario	Entrada nominal: 75 W mín.
	Diferente a un altavoz de graves secundario	Entrada máxima: 150 W mín.
Dos canales	Altavoz de graves secundario	Entrada nominal: 300 W mín.
	Diferente a un altavoz de graves secundario	Entrada máxima: 600 W mín.
Salida de altavoz A de tres canales	Altavoz de graves secundario	Entrada nominal: 75 W mín.
	Diferente a un altavoz de graves secundario	Entrada máxima: 150 W mín.
Salida de altavoz B de tres canales	Altavoz de graves secundario	Entrada nominal: 300 W mín.
	Diferente a un altavoz de graves secundario	Entrada máxima: 600 W mín.

Conexión del terminal de alimentación

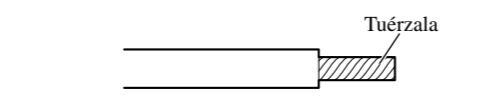
- Siempre utilice el cable de batería rojo especial y el cable de tierra [RD-223], vendidos separadamente. Conecte el cable de batería directamente al terminal positivo de la batería del vehículo (+) y el cable de tierra a la carrocería del vehículo.

1. Pase el cable de batería desde el compartimiento del motor al interior del vehículo.

- Luego de hacer todas las otras conexiones al amplificador, conecte el terminal del conductor de batería del amplificador al terminal positivo (+) de la batería.

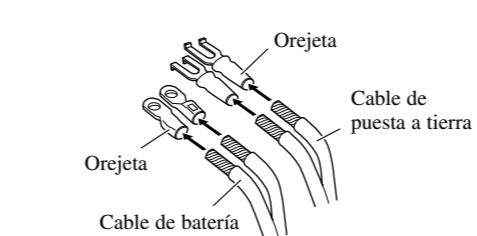


2. Tuerza el cable de batería, cable de puesta a tierra y cable de control remoto del sistema.



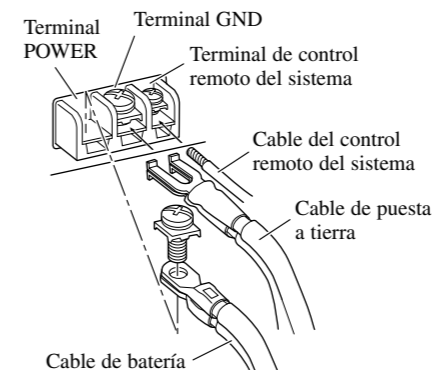
3. Fije las orejetas a los extremos de los cables. Orejetas no suministrados.

- Utilice alicates, etc. para plegar las orejetas a los cables.



4. Conecte los cables al terminal.

- Fijar los cables firmemente utilizando los tornillos para terminales.

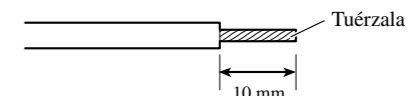


ADVERTENCIA

Dejar de apretar firmemente el cable de puesta a tierra al terminal usando los tornillos para terminales podría causar el sobrecalentamiento del área de los terminales, así como podría causar daños y lesiones incluyendo pequeñas quemaduras.

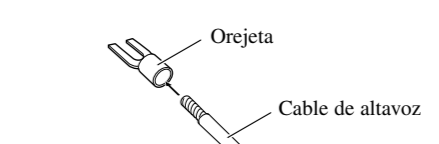
Conexión del terminal de salida de altavoz

1. Desnude la extremidad de los cables de altavoces utilizando alicates o una tajadera por aproximadamente 10 mm y tuérzala.



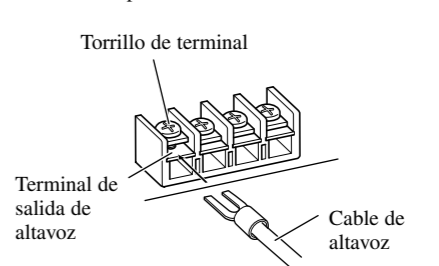
2. Fije las orejetas a los extremos de los cables de altavoz. Orejetas no suministrados.

- Utilice alicates, etc. para plegar las orejetas a los cables.



3. Conecte los cables de altavoz al terminal de salida de altavoz.

- Fije los cables firmemente utilizando los tornillos para terminales.



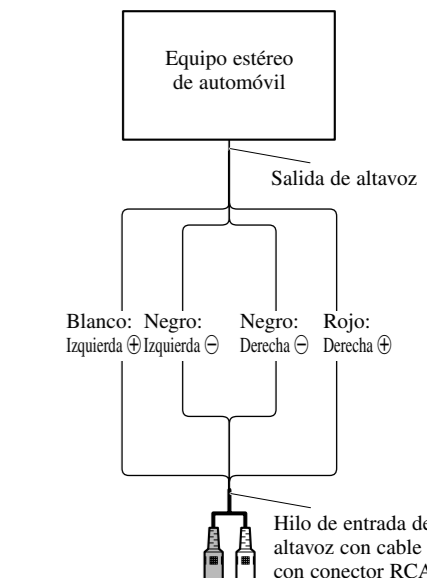
Uso de la entrada de altavoz

Conecte los hilos de salida de altavoz del equipo estéreo de automóvil al amplificador utilizando el hilo de entrada de altavoz suministrado con el cabo con conector RCA.

- Deslice el interruptor de entrada hacia la derecha.

- Para la entrada de cuatro canales, conecte dos hilos de entrada de altavoz con el cable con conector RCA a las tomas de entrada RCA A y B. Asegúrese de deslizar el interruptor de selección de entrada hacia la derecha.
- Para la entrada de dos canales, conecte el hilo de entrada de altavoz con cable con conector RCA a la toma de entrada RCA A. No conecte nada a la toma de entrada RCA B. Asegúrese de deslizar el interruptor de selección de entrada hacia la izquierda.

Conexiones cuando se utiliza la entrada de altavoz



A la toma de entrada RCA de esta unidad.

- Cuando se conecta el hilo de salida de altavoz del equipo estéreo de automóvil al amplificador, el amplificador se enciende automáticamente cuando se enciende el equipo estéreo de automóvil. En este caso, no es necesario conectar el hilo de control remoto de sistema.

Nota:

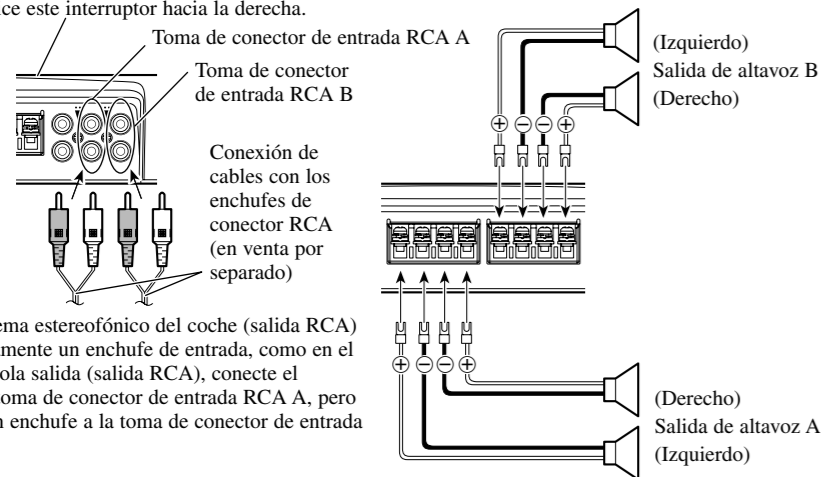
- Conecte el hilo de control remoto de sistema cuando el amplificador no se enciende cuando se enciende el equipo estéreo de automóvil.

Conexión de los altavoces y cables de entrada

El modo de salida de altavoz puede ser de cuatro canales, tres canales (estéreo + mono) o dos canales (estéreo, mono). Conecte los cables de altavoz para ajustarse al modo según los diagramas mostrados abajo.

Cuatro canales

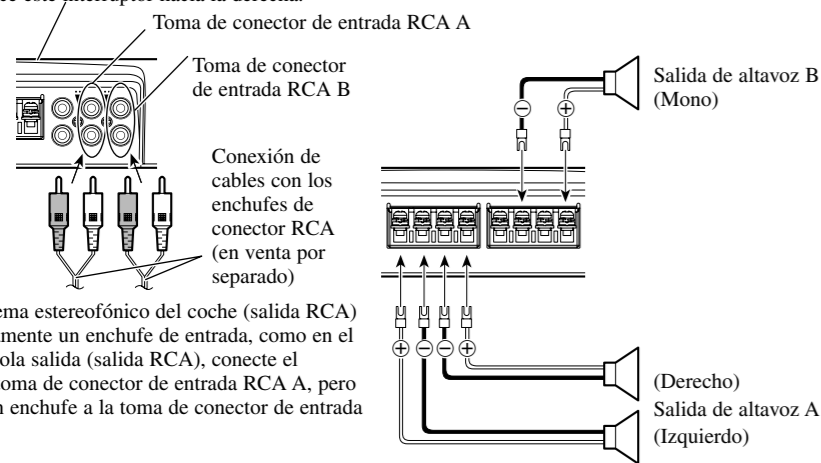
El interruptor de selección de entrada se encuentra en la parte superior de la unidad. Para la entrada de dos canales, deslice este interruptor hacia la izquierda. Para la entrada de cuatro canales, deslice este interruptor hacia la derecha.



Desde el sistema estereofónico del coche (salida RCA) Si se usa solamente un enchufe de entrada, como en el caso de una sola salida (salida RCA), conecte el enchufe a la toma de conector de entrada RCA A, pero no conecte un enchufe a la toma de conector de entrada RCA B.

Tres canales

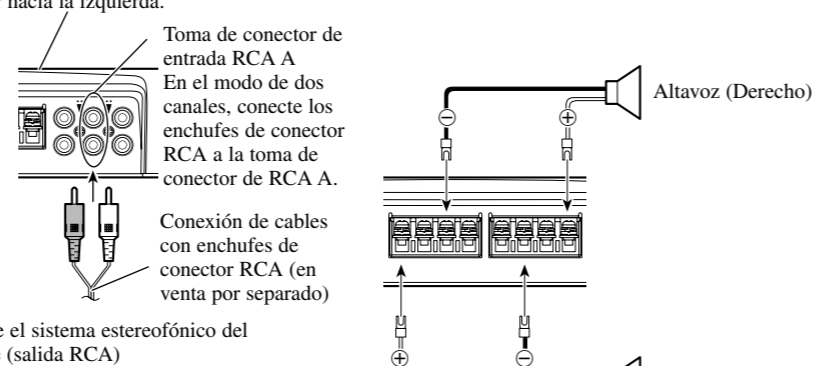
El interruptor de selección de entrada se encuentra en la parte superior de la unidad. Para la entrada de dos canales, deslice este interruptor hacia la izquierda. Para la entrada de cuatro canales, deslice este interruptor hacia la derecha.



Desde el sistema estereofónico del coche (salida RCA) Si se usa solamente un enchufe de entrada, como en el caso de una sola salida (salida RCA), conecte el enchufe a la toma de conector de entrada RCA A, pero no conecte un enchufe a la toma de conector de entrada RCA B.

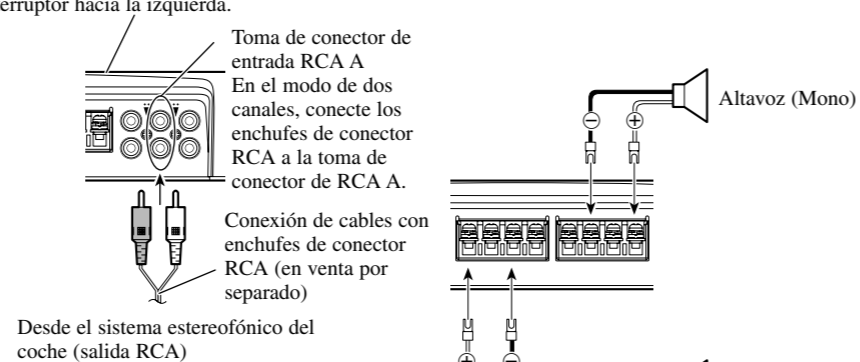
Dos canales (estéreo)

El interruptor de selección de entrada se encuentra en la parte superior de la unidad. Deslice este interruptor hacia la izquierda.



Dos canales (mono)

El interruptor de selección de entrada se encuentra en la parte superior de la unidad. Deslice este interruptor hacia la izquierda.



PRECAUCION

- No lo instale en:
 - Donde podría lesionar al conductor o a los pasajeros si se detiene el vehículo bruscamente.
 - Donde podría interferir con el conductor, como por ejemplo en el piso en frente al asiento del conductor.
- Asegúrese que los cables no se enganchen en el mecanismo deslizando de los asientos, resultando en cortocircuito.
- Confirme que ninguna parte quede detrás del panel, cuando perforo un orificio para la instalación del amplificador. Asegúrese de proteger todos los cables y equipos importantes, tales como líneas de combustible, líneas de frenos y el cableado eléctrico.
- Instale los tornillos de conexión de manera tal que la punta del tornillo no toque ningún cable. Esto es importante para evitar que los cables se corten por vibración del automóvil, lo que podría causar un incendio.
- NO permita que el amplificador entre en contacto con líquidos debido a, por ejemplo, la localización donde el amplificador esté instalado. Esto podría causar una sacudida eléctrica. El contacto con líquidos también podría causar daños y sobrecalentamiento al amplificador e altavoces. Además, la superficie del amplificador y la superficie de cualquier altavoz instalado también podrían ponerse muy calientes al tacto, pudiendo causar pequeñas quemaduras.
- Para asegurar una instalación apropiada, utilice las partes suministradas de la manera especificada. Si se utiliza cualquier otra parte que no sean las suministradas, puede dañarse las partes internas del amplificador, o pueden aflojarse y el amplificador puede dejar de funcionar.
- No reemplace nunca el fusible por uno con un valor de régimen mayor que el fusible original. El uso de un fusible inadecuado podría causar el sobrecalentamiento o humo, así como podría causar daños al producto y lesiones, incluyendo quemaduras.

PRECAUCION:

Para evitar fallas de funcionamiento y/o lesiones

- Para asegurar la disipación de calor apropiada del amplificador, cuide de lo siguiente durante la instalación.
 - Permita un espacio adecuado en la parte superior del amplificador para una ventilación apropiada.
 - No cubra el amplificador con la cubierta de piso o alfombra.
- NO permita que el amplificador entre en contacto con líquidos debido a, por ejemplo, la localización donde el amplificador esté instalado. Esto podría causar una sacudida eléctrica. El contacto con líquidos también podría causar daños y sobrecalentamiento al amplificador e altavoces. Además, la superficie del amplificador y la superficie de cualquier altavoz instalado también podrían ponerse muy calientes al tacto, pudiendo causar pequeñas quemaduras.
- No instale el amplificador sobre superficies inestables como el tablero del neumático de repuesto.

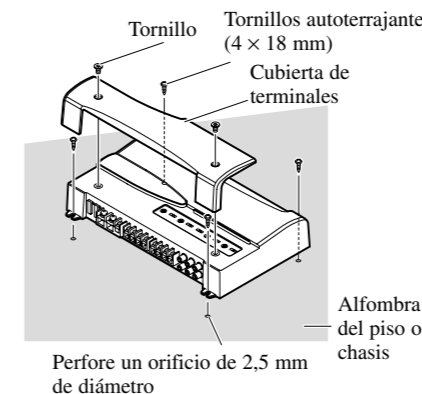
- Confirme que ninguna parte quede detrás del panel, cuando perforo un orificio para la instalación del amplificador. Asegúrese de proteger todos los cables y equipos importantes, tales como líneas de combustible, líneas de frenos y el cableado eléctrico.
- Realice primero conexiones provisionarias y compruebe que el amplificador y el sistema operan adecuadamente.
- Para asegurar una instalación apropiada, utilice las partes suministradas de la manera especificada. Si se utiliza cualquier otra parte que no sean las suministradas, puede dañarse las partes internas del amplificador, o pueden aflojarse y el amplificador puede dejar de funcionar.

Ejemplo de instalación en la alfombra del piso o en el chasis

- Ubique el amplificador en la posición en donde va a ser instalado. Inserte los tornillos autoterrajantes suministrados (4 x 18 mm) en los orificios de los tornillos. Presione los tornillos con un destornillador de modo que puedan dejar puntos marcados de la posición en donde irán los orificios para la instalación.
- Perfore orificios de 2,5 mm de diámetro en el punto marcado, e instale el amplificador, ya sea en la alfombra o directamente en el chasis.

Recolocación de la cubierta de terminales

- Alinee la unidad y la cubierta de terminales, e inserte el tornillo.
- Apriete el tornillo con una llave hexagonal de 4 mm (no suministrada).



Alimentación	14,4 V CC (10,8 V a 15,1 V permisible)
Sistema de puesta a tierra	Tipo negativo
Consumo de corriente	27,7A (potencia continua, 4 Ω)
Consumo de corriente promedio*	10,4 A (4 Ω para cuatro canales) 20,2 A (4 Ω para dos canales) 20,2 A (2 Ω para cuatro canales)
Fusible	30 A x 2
Dimensiones	304 (An) x 56 (Al) x 202 (Pr) mm
Peso	3,0 kg (No se incluyen los conductores para el cableado)
Potencia de salida máxima	150 W x 4 (4 Ω) / 600 W x 2 (4 Ω)
Potencia de salida continua	75 W x 4 (a 14,4 V, 4 Ω, 20 Hz a 20 kHz 1,0% THD) 300 W x 2 (a 14,4 V, 4 Ω, 1 kHz 1,0% THD) 150 W x 4 (a 14,4 V, 2 Ω, 1 kHz 1,0% THD)
Impedancia de carga	4 Ω (2 Ω a 8 Ω permisible) (Acoplamiento en derivación: 4 Ω a 8 Ω permisible)
Respuesta de frecuencia	10 Hz a 40 kHz (+0 dB, -3 dB)
Relación de señal a ruido	100 dB (IEC-Red A)
Distorsión	0,005 % (10 W, 1 kHz)
Separación de canales	70 dB (1 kHz)
Filtro de paso bajo	Frecuencia de corte: 40 Hz a 120 Hz Pendiente de corte: -12 dB/oct
Filtro de paso alto	Frecuencia de corte: 40 Hz a 120 Hz Pendiente de corte: -12 dB/oct
Control de ganancia	RCA: 400 mV a 6,5 V Altavoz: 1,6 V a 26 V
Impedancia / nivel de entrada máxima	RCA: 6,5 V / 22 kΩ Altavoz: 26 V / 90 kΩ

Nota:

- Las especificaciones y el diseño están sujetos a posibles modificaciones sin previo aviso debido a mejoramientos.
- *Consumo de corriente promedio
 - El consumo de corriente promedio es casi el consumo de corriente máximo de esta unidad, cuando se ingresa una señal de audio. Utilice este valor cuando tenga que trabajar con la corriente total consumida por múltiples amplificadores de potencia.