

CLASS D MONO AMPLIFIER

AMPLIFICADOR MONO CLASE D

## Owner's Manual

# GM-D7400M

## Manual del Propietario

**PIONEER CORPORATION**  
4-1, MEGURO 1-CHOME, MEGURO-KU, TOKYO 153-8654, JAPAN

**PIONEER ELECTRONICS (USA) INC.**  
P.O. Box 1540, Long Beach, California 90801-1540, U.S.A.  
TEL: (800) 421-1404

**PIONEER EUROPE NV**  
Haven 1087, Keetberglaan 1, B-9120 Melsele, Belgium  
TEL: (0) 3/570.05.11

**PIONEER ELECTRONICS ASIACENTRE PTE. LTD.**  
253 Alexandra Road, #04-01, Singapore 159936  
TEL: 65-6472-7555

**PIONEER ELECTRONICS AUSTRALIA PTY. LTD.**  
178-184 Boundary Road, Braeside, Victoria 3195, Australia  
TEL: (03) 9586-6300

**PIONEER ELECTRONICS OF CANADA, INC.**  
300 Allstate Parkway, Markham, Ontario L3R 0P2, Canada  
TEL: 1-877-283-5901  
TEL: 905-479-4411

**PIONEER ELECTRONICS DE MEXICO, S.A. de C.V.**  
Blvd.Manuel Avila Camacho 138 10 piso  
Col.Lomas de Chapultepec, Mexico, D.F. 11000

Published by Pioneer Corporation.  
Copyright © 2007 by Pioneer Corporation.  
All rights reserved.

Publicado por Pioneer Corporation.  
Copyright © 2007 Pioneer Corporation.  
Todos los derechos reservados.

Printed in China  
Impreso na China  
<YRD5157-A/S> ES

## Before Using This Product

## ENGLISH

Thank you for purchasing this PIONEER product. Before attempting operation, be sure to read this manual.

### In case of trouble

When the unit does not operate properly, contact your dealer or the nearest authorized PIONEER Service Station.

### About This Product

This product is a class D amplifier for the subwoofer. If both L (left) and R (right) channels are connected to the RCA input of this product, output is mixed because this product is a mono amplifier.

### CAUTION

- Never replace the fuse with one of greater value or rating than the original fuse. Use of an improper fuse could result in overheating and smoke and could cause damage to the product and injury including burns.
- Use the supplied hexagonal wrench to tighten screws when fastening wires to the terminal. The use of a long, commercially available hexagonal wrench can cause excessive torque to be applied possibly resulting in damage to terminals and wires.

### WARNING

- We recommend that you use the special red battery and ground wire [RD-228], which is sold separately. Connect the battery wire directly to the car battery positive terminal (+) and the ground wire to the car body.
- Do not touch the amplifier with wet hands. Otherwise you may get an electric shock. Also, do not touch the amplifier when it is wet.
- For traffic safety and to maintain safe driving conditions, keep the volume low enough so that you can still hear normal traffic sound.
- Check the connections of the power supply and subwoofer if the fuse of the separately sold battery wire or the amplifier fuse blows. Detect the cause and solve the problem, then replace the fuse with another one of the same size and rating.
- To prevent malfunction of the amplifier and subwoofer, the protective circuit will cut the power supply to the amplifier (sound will stop) when an abnormal condition occurs. In such a case, switch the power to the system OFF and check the connection of the power supply and subwoofer. Detect the cause and solve the problem.
- Contact the dealer if you cannot detect the cause.
- To prevent an electric shock or short-circuit during connection and installation, be sure to disconnect the negative (-) terminal of the battery beforehand.
- Confirm that no parts are behind the panel when drilling a hole for installation of the amplifier. Be sure to protect all cables and important equipment such as fuel lines, brake lines and the electrical wiring from damage.
- DO NOT allow amplifier to come into contact with liquids due to, for example, the location where the amplifier is installed. Electrical shock could result. Also, amplifier and speaker damage, smoke, and overheating could result from contact with liquids. In addition, the amplifier surface and the surface of any attached speakers could become hot to the touch and minor burns could result.

## Setting the Unit

## ENGLISH

### Gain Control

If the sound level is too low, even when the volume of the car stereo used along with this power amplifier is turned up, turn gain control clockwise. If the sound distorts when the volume is turned up, turn the gain control counterclockwise.

- When using with an RCA equipped car stereo (standard output of 500 mV), set to the NORMAL position. When using with an RCA equipped Pioneer car stereo with max. output of 4 V or more, adjust level to match the car stereo output level.

### LPF (Low-Pass-Filter) Cut Off Frequency Control

You can select a cut off frequency from 40 Hz to 240 Hz.

### Power Indicator (Blue)

The power indicator lights when the power is switched on.

### BFC (Beat Frequency Control) Switch

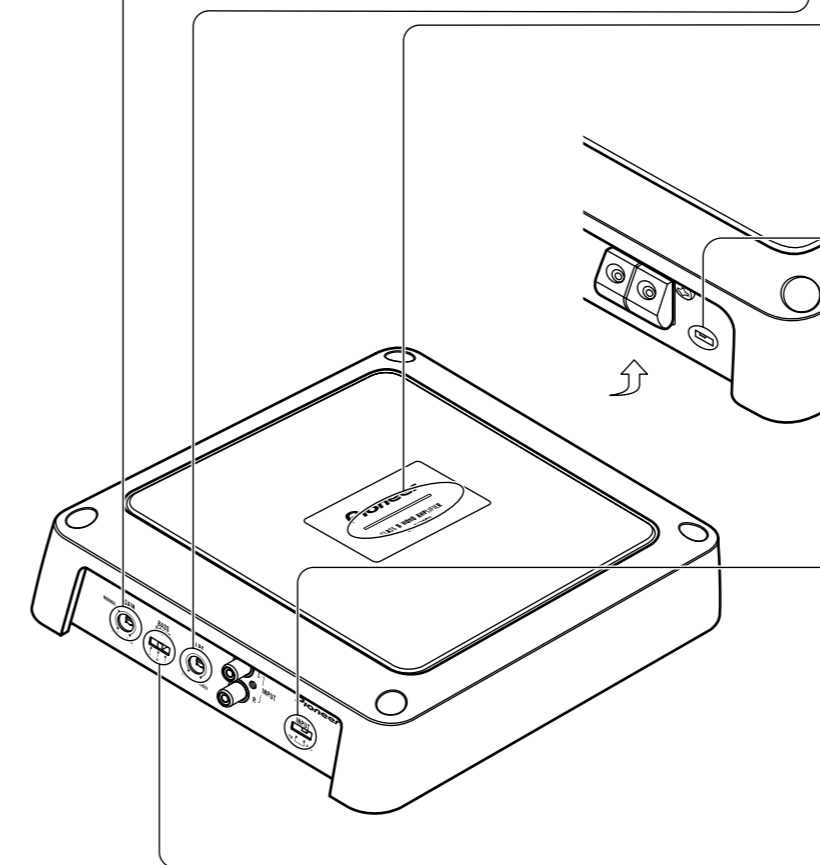
If you hear a beat while listening to an AM broadcast with your car stereo, change the BFC switch using a small standard tip screwdriver.

### Input Switch

It is possible to input from a car stereo external output or a car stereo speaker output. Switch the input switch before turning on the power. Since switching the input switch while the power is on can cause a loud noise to be emitted from the speakers, the power is turned off by a protection function. When using an external output, slide the switch to the right (RCA). For connection instructions, see the "Connection Diagram" section. When using a speaker output, slide the switch to the left (SP). In this case, it is necessary to use the supplied speaker input wire with RCA pin cord. For details, see the "Using the Speaker Input" section.

### Bass Boost Control

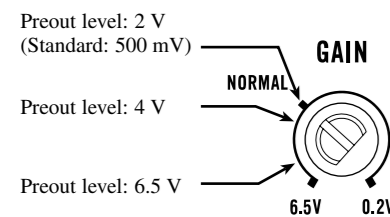
You can adjust a bass boost level from 0 dB, 6 dB and 12 dB.



**Setting the Gain properly**

- This unit is equipped with a protective function to prevent malfunction of the unit itself and speakers from too much output, improper use or improper connection.
- When outputting sound at high volume etc., this function will cut off the sound output in a few seconds. But this is not a malfunction. When you turn down the volume of the head unit the sound output will be restored.
- If sound output is cut, the gain control of this unit may be improperly set. To ensure continuous sound output at increased volume of the head unit, set the gain control of the amplifier to a proper position according to the preout maximum output level of the head unit.

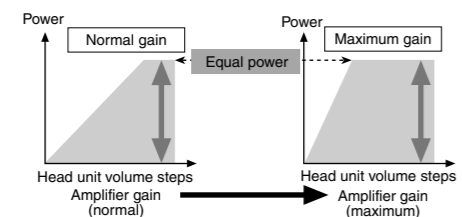
**Gain Control of This Unit**



- The above illustration shows the gain set to NORMAL.

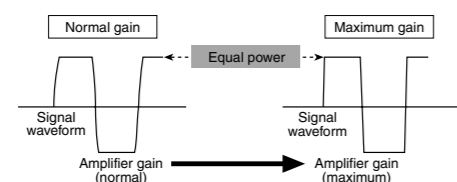
There is no need to decrease the volume of the head unit and too much output is controlled.

**Relationship between the gain of the amplifier and the output power of the head unit**



- If you raise the gain of the amplifier to an improper level, only distortion is increased and the power increases only slightly.

**Signal waveform when outputting at high volume by the gain control of the amplifier**



- With high output the signal waveform is distorted, if you raise the gain of the amplifier the power changes only slightly.
- If you decrease the volume of the head unit and set the gain control of the amplifier to the proper position but still the sound cuts out from time to time, contact the nearest authorized PIONEER Service Station.

**CAUTION**

- Disconnect the negative (-) terminal of the battery to avoid the risk of short-circuit and damage to the unit.
- Secure the wiring with cable clamps or adhesive tape. To protect the wiring, wrap adhesive tape around it where they lie against metal parts.
- Do not route wires where they will get hot, for example where the heater will blow over them. If the insulation heats up, it may become damaged, resulting in a short-circuit through the vehicle body.
- Make sure that wires will not interfere with moving parts of the vehicle, such as the gearshift, handbrake or seat sliding mechanism.
- Do not shorten any wires. Otherwise the protection circuit may fail to work when it should.
- Never feed power to other equipment by cutting the insulation of the power supply wire to tap from the wire. The current capacity of the wire will be exceeded, causing overheating.
- Never replace the fuse with one of greater value or rating than the original fuse. Use of an improper fuse could result in overheating and smoke and could cause damage to the product and injury including burns.

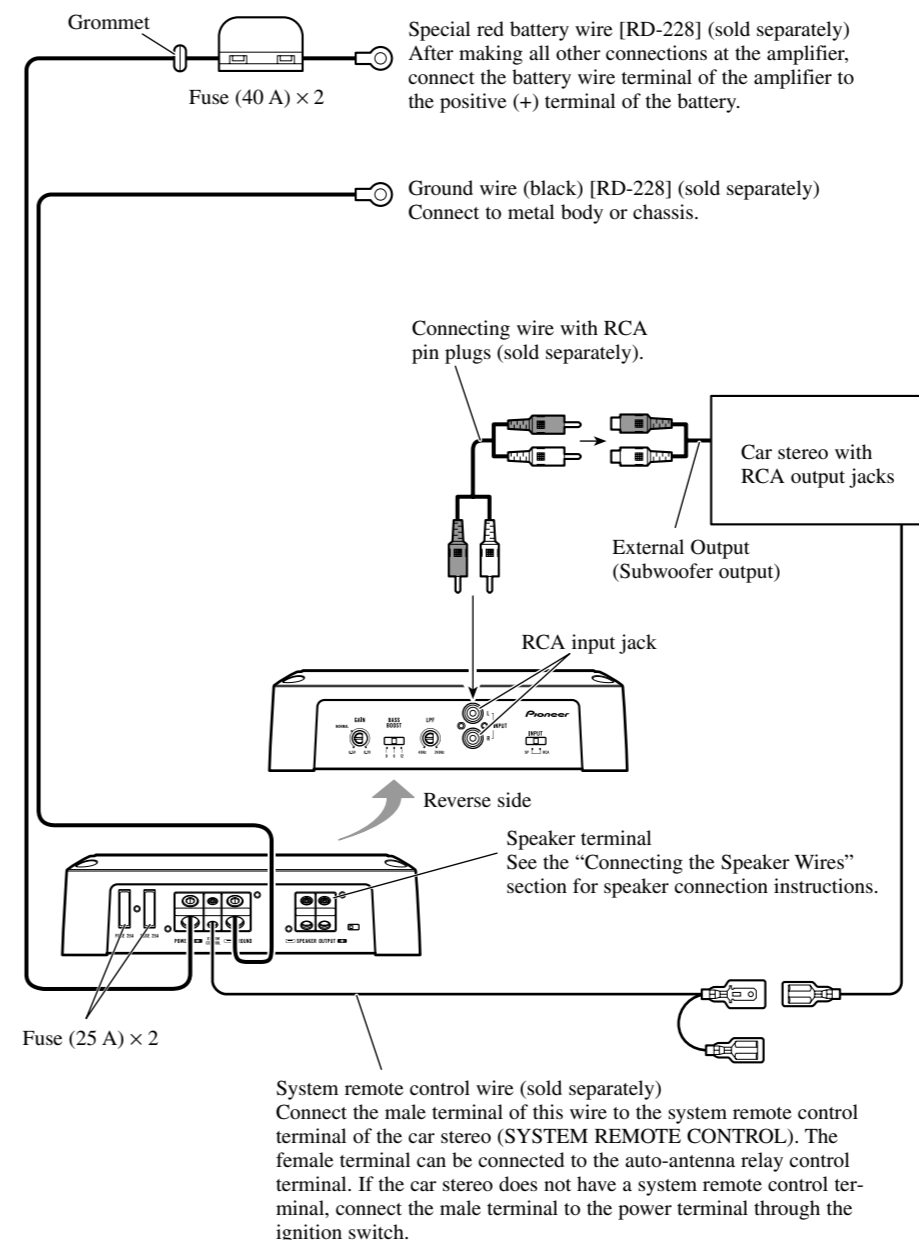
**CAUTION:**

**To prevent damage and/or injury**

- Do not ground the speaker wire directly or connect a negative (-) lead wire for several speakers.
- This unit is for vehicles with a 12-volt battery and negative grounding. Before installing it in a recreational vehicle, truck or bus, check the battery voltage.
- If the car stereo is kept on for a long time while the engine is at rest or idling, the battery may go dead. Turn the car stereo off when the engine is at rest or idling.
- If the system remote control wire of the amplifier is connected to the power terminal through the ignition switch (12 V DC), the amplifier will always be on when the ignition is on— regardless of whether the car stereo is on or off. Because of this, the battery could go dead if the engine is at rest or idling.
- DO NOT connect a subwoofer with a lower impedance than specified in the “Connecting the Speaker Wires” section. Amplifier damage, smoke, and overheating could result from a non-specified connection. The amplifier surface could also become hot to the touch and minor burns could result.
- Connect either of two subwoofers to the amplifier: 1: a subwoofer with a 250 W or larger nominal input and an impedance 4 Ω, or 2: a subwoofer with a 420 W or larger nominal input and an impedance 2 Ω. If the nominal input and impedance are out of the above ranges, the subwoofer may catch fire, emit smoke or become damaged.
- Install and route the separately sold battery wire as far away as possible from the speaker wires. Install and route the separately sold battery wire, ground wire, speaker wires and the amplifier as far away as possible from the antenna, antenna cable and tuner.

**Connection Diagram**

- This diagram shows connections using external output (subwoofer output). Slide the input switch to the right (RCA).



**Solderless Terminal Connections**

- Do not connect a cord having an exposed core wire to the power terminals of this amplifier (Power terminal, GND terminal, System remote control terminal). Disconnection or breakage of the core wire can cause a fire or short-circuit.
- Since the wire will become loose over time, it must be periodically inspected and tightened as necessary.
- Do not solder or bind the ends of the twisted wires.
- Fasten while making sure to not to clamp the insulating sheath of the wire.
- Use the supplied hexagonal wrench to tighten and loosen the terminal screw of the amplifier. Securely fasten the wire with the terminal screw. However, since excessively tightening the terminal screw of the System remote control has the risk of damaging the wire, be careful not to tighten excessively by observing the status of the wire when tightening.

**Connecting the Power Terminal**

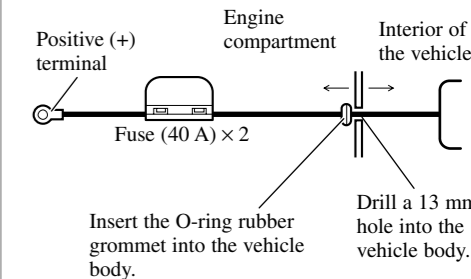
- We recommend that you use the special red battery and ground wire [RD-228], which is sold separately. Connect the battery wire directly to the car battery positive terminal (+) and the ground wire to the car body.
- Recommended wires size (AWG: American Wire Gauge) is as follows. The battery wire and the ground wire must be same size.
- Use a 10 AWG to 20 AWG wire for the system remote control wire.

**Battery Wire and Ground Wire Size**

Wire Length	less than 5.7 m	less than 9.0 m	less than 14.4 m
Wire Size	8 AWG	6 AWG	4 AWG

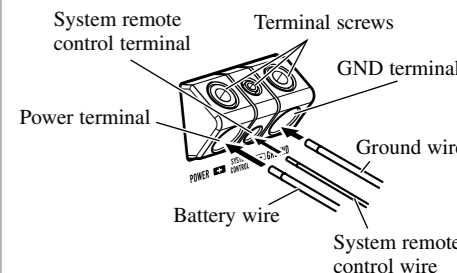
1. Pass the battery wire from the engine compartment to the interior of the vehicle.

- After making all other connections to the amplifier, connect the battery wire terminal of the amplifier to the positive (+) terminal of the battery.



2. Connect the wires to the terminal.

- Fix the wires securely with the terminal screws.



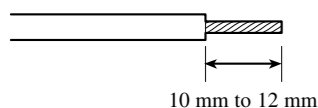
**WARNING**

Failure to securely fasten the battery wire to the terminal using the terminal screws could cause the terminal area to overheat and could result in damage and injury including minor burns.

**Connecting the Speaker Output Terminals**

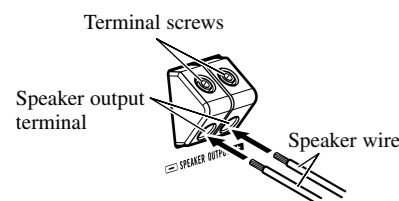
- Use a 10 AWG to 16 AWG wire for the speaker wire.

- Expose the end of the speaker wires using nippers or a cutter by about 10 mm to 12 mm.



- Connect the speaker wires to the speaker output terminals.

- Fix the speaker wires securely with the terminal screws.

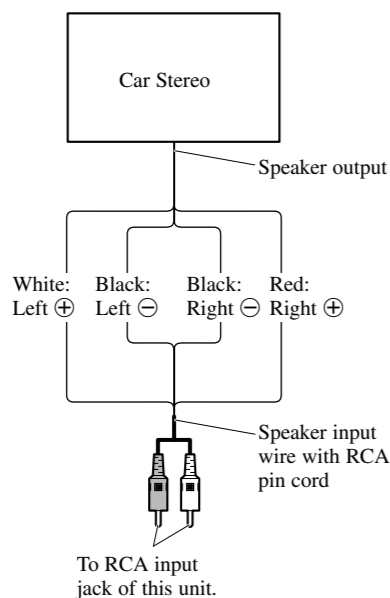


**Using the Speaker Input**

Connect the car stereo speaker output wires to the amplifier using the supplied speaker input wire with RCA pin cord.

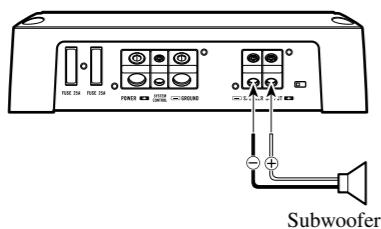
- Slide the input switch to the left (SP).

**Connections when using the speaker input**



**Connecting the Speaker Wires**

Connect the speaker leads according to the figures shown below.



**CAUTION**

- Do not install in:
  - Places where it could injure the driver or passengers if the vehicle stops suddenly.
  - Places where it may interfere with the driver, such as on the floor in front of the driver's seat.
- Make sure that wires are not caught in the sliding mechanism of the seats, resulting in a short-circuit.
- Confirm that no parts are behind the panel when drilling a hole for installation of the amplifier. Protect all cables and important equipment such as fuel lines, brake lines and electrical wiring from damage.
- Install tapping screws in such a way that the screw tip does not touch any wire. This is important to prevent wires from being cut by vibration of the car, which can result in fire.
- DO NOT allow amplifier to come into contact with liquids due to, for example, the location where the amplifier is installed. Electrical shock could result. Also, amplifier and speaker damage, smoke, and overheating could result from contact with liquids. In addition, the amplifier surface and the surface of any attached speakers could become hot to the touch and minor burns could result.
- To ensure proper installation, use the supplied parts in the manner specified. If any parts other than the supplied ones are used, they may damage internal parts of the amplifier, or they may become loose causing the amplifier to shut down.
- Never replace the fuse with one of greater value or rating than the original fuse. Use of an improper fuse could result in overheating and smoke and could cause damage to the product and injury including burns.

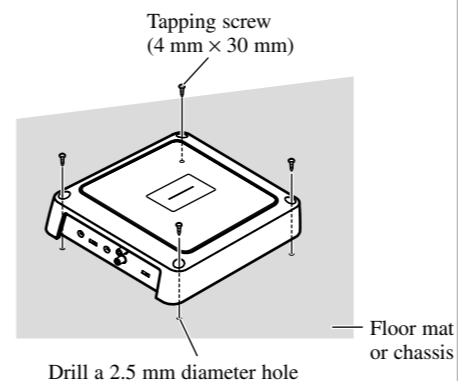
**CAUTION:**

**To prevent malfunction and/or injury**

- To ensure proper heat dissipation of the amplifier, be sure of the following during installation.
  - Allow adequate space above the amplifier for proper ventilation.
  - Do not cover the amplifier with a floor mat or carpet.
- DO NOT allow amplifier to come into contact with liquids due to, for example, the location where the amplifier is installed. Electrical shock could result. Also, amplifier and speaker damage, smoke, and overheating could result from contact with liquids. In addition, the amplifier surface and the surface of any attached speakers could become hot to the touch and minor burns could result.
- Do not install the amplifier on unstable places such as the spare tire board.
- The best location for installation differs with the car model and installation location. Secure the amplifier at a sufficiently rigid location.
- Make temporary connections first and check that the amplifier and the system operate properly.
- After installing the amplifier, confirm that the spare tire, jack and tools can be easily removed.

**Example of installation on the floor mat or on the chassis**

- Place the amplifier where it is to be installed. Insert the supplied tapping screws (4 mm × 18 mm) into the screw holes. Push on the screws with a screwdriver so they make marks where the installation holes are to be located.
- Drill 2.5 mm diameter holes at the point marked, and install the amplifier, either on the carpet or directly to the chassis.



Power source.....	14.4 V DC (10.8 V to 15.1 V allowable)
Grounding system .....	Negative type
Current consumption .....	17.0 A (at continuous power, 4 Ω)
Average current drawn* .....	5.0A (4 Ω for one channel) 10.0 A (2 Ω for one channel)
Fuse .....	25 A × 2
Dimensions .....	225 mm (W) × 56 mm (H) × 200 mm (D) (Terminals not included)
Weight .....	2.6 kg (Leads for wiring not included)
Maximum power output .....	400 W × 1 (4 Ω) / 800 W × 1 (2 Ω)
Continuous power (14.4 V) .....	4 Ω, 20 Hz to 240 Hz, ≤ 1.0 % THD, 200 W × 1 2 Ω, 50 Hz, ≤ 1.0 % THD, 400 W × 1
Load impedance .....	4 Ω (2 Ω to 8 Ω allowable)
Frequency response .....	10 Hz to 240 Hz (+0 dB, -3 dB)
Signal-to-noise ratio .....	80 dB (IEC-A network)
Distortion .....	0.3% (10 W, 100 Hz)
Low pass filter .....	Cut off frequency: 40 Hz to 240 Hz Cut off slope: -12 dB/oct
Bass Boost .....	Frequency: 50 Hz Level: 0 dB/6 dB/12 dB
Gain control .....	RCA: 200 mV to 6.5 V Speaker: 0.8 V to 26 V
Maximum input level / impedance .....	RCA: 6.5 V / 22 kΩ Speaker: 26 V / 90 kΩ

**Note:**

- Specifications and the design are subject to possible modification without notice due to improvements.

**\*Average current drawn**

- The average current drawn is nearly the maximum current drawn by this unit when an audio signal is input. Use this value when working out total current drawn by multiple power amplifiers.

Muchas gracias por la adquisición de este producto PIONEER. Antes de tratar de operarlo, lea atentamente este manual.

### En caso de desperfectos

Si esta unidad no funciona correctamente, póngase en contacto con su distribuidor o con el Centro de Servicio PIONEER autorizado más cercano.

### Sobre este producto

Este producto es un amplificador de clase D para el altavoz de subgraves. Si ambos los canales L (izquierdo) y R (derecho) se conectan a la entrada RCA de este producto, la salida se mezcla ya que este producto es un amplificador monofónico.

### PRECAUCION

- No reemplace nunca el fusible por uno con un valor de régimen mayor que el fusible original. El uso de un fusible inadecuado podría causar el sobrecalentamiento o humo, así como podría causar daños al producto y lesiones, incluyendo quemaduras.
- Utilice la llave hexagonal suministrada para apretar los tornillos al fijar los hilos a los terminales. El uso de una llave hexagonal larga disponible comercialmente puede causar la aplicación de un par de apriete excesivo, resultando en daños a los terminales y hilos.

### ADVERTENCIA

- Se recomienda utilizar el cable de batería rojo especial y el cable de tierra [RD-228], vendidos separadamente. Conecte el cable de batería directamente al terminal positivo de la batería del vehículo (+) y el cable de tierra a la carrocería del vehículo.
- No toque en el amplificador con las manos mojadas. Caso contrario, usted puede llevar un choque eléctrico. Igualmente, no toque en el amplificador cuando esté mojado.
- Para seguridad del tráfico y para mantener condiciones de conducción seguras, mantenga el volumen suficientemente bajo de manera que aun se pueda escuchar el sonido del tráfico normal.
- Verifique las conexiones del suministro de energía y altavoz de subgraves para ver si el fusible del cable de batería vendido separadamente o el fusible del amplificador se queman. Detecte la causa y solucione el problema, y reemplace el fusible con un otro del mismo tamaño y régimen.
- Para evitar mal funcionamiento del amplificador y altavoz de subgraves, el circuito de protección cortará la alimentación al amplificador (el sonido se detendrá) cuando se produzca una situación anormal. En tal caso, apague el sistema y verifique la conexión de la alimentación y altavoz de subgraves. Detecte la causa y resuelva el problema.
- Contacte a su distribuidor si no puede detectar la causa.
- Para evitar choques eléctricos o cortocircuitos durante la conexión e instalación, asegúrese de desconectar el terminal negativo (-) de la batería antes de proceder.
- Confirme que ninguna parte quede detrás del panel, cuando perfore un orificio para la instalación del amplificador. Asegúrese de proteger todos los cables y equipos importantes, tales como líneas de combustibles, líneas de frenos y el cableado eléctrico.
- NO permita que el amplificador entre en contacto con líquidos debido a, por ejemplo, la localización donde el amplificador esté instalado. Esto podría causar una sacudida eléctrica. El contacto con líquidos también podría causar daños y sobrecalentamiento al amplificador e altavoces. Además, la superficie del amplificador y la superficie de cualquier altavoz instalado también podrían ponerse muy calientes al tacto, pudiendo causar pequeñas quemaduras.

### Control de ganancia

Si el nivel del sonido está muy bajo, aún cuando se aumenta el volumen del equipo estéreo para automóvil usado con este amplificador de potencia, gire a la derecha el control de ganancia. Si hay distorsión del sonido cuando se aumenta el volumen del equipo estéreo de automóvil, gire los controles a la izquierda.

- Cuando se usa un estéreo de automóvil equipado con RCA (salida estándar de 500 mV), ajuste a la posición normal. Cuando use con un estéreo de automóvil Pioneer equipado con RCA con una salida máxima de 4 V o más, ajuste el nivel para adecuarse al nivel de salida del estéreo del automóvil.

### Control de frecuencia de corte LPF (Filtro de paso bajo)

Se puede seleccionar una frecuencia de corte de 40 Hz a 240 Hz.

### Indicador de alimentación (Azul)

El indicador de alimentación se ilumina cuando la unidad se encuentra activada.

### Interruptor BFC (Control de la frecuencia de batido)

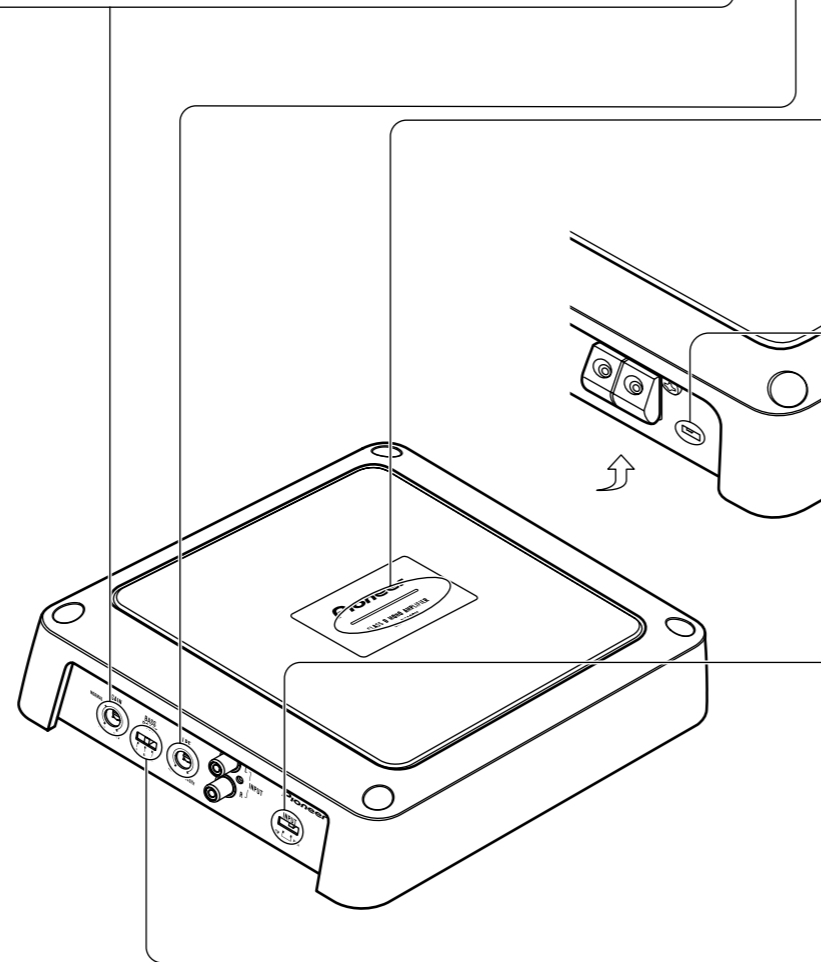
Si escucha sonidos de batido mientras está recibiendo una emisora de AM con su estéreo de automóvil, cambie el interruptor BFC usando un destornillador pequeño.

### Interruptor de entrada

Es posible introducir desde la salida exterior de un equipo estéreo de automóvil o desde la salida de altavoz de un equipo estéreo de automóvil. Cambie el interruptor de entrada antes de encender la unidad. Como cambiar el interruptor de entrada con la unidad encendida puede generar un ruido alto por los altavoces, la unidad se apaga por una función de protección. Cuando utilice una salida exterior, deslice el interruptor hacia la derecha (RCA). Para las instrucciones de instalación, consulte la sección "Diagrama de conexión". Cuando utilice una salida de altavoz, deslice el interruptor hacia la izquierda (SP). En este caso, es necesario utilizar el hilo de entrada de altavoz suministrado con el cable con conector RCA. Para los detalles, consulte la sección "Uso de la entrada de altavoz".

### Control de refuerzo de graves

Se puede seleccionar un nivel de refuerzo de graves de 0 dB, 6 dB y 12 dB.



## Configuración apropiada de la ganancia

- Esta unidad está equipada con una función de protección para evitar el fallo de funcionamiento de la propia unidad y de los altavoces debido a una salida muy alta, uso inadecuado o conexión incorrecta.
- Al producir el sonido a un volumen alto, etc., esta función cortará la salida del sonido en algunos segundos. Sin embargo, esto no es un fallo de funcionamiento. Al bajar el volumen de la unidad principal, se restaurará la salida del volumen.
- Si se corta la salida del sonido, puede que se ajuste incorrectamente el control de ganancia de esta unidad. Para asegurar la salida continua del sonido al volumen aumentado de la unidad principal, ajuste el control de ganancia del amplificador a una posición adecuada de acuerdo con el nivel de salida máximo de la pre-salida de la unidad principal.

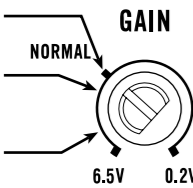
## Control de ganancia de esta unidad

Nivel de pre-salida: 2 V  
(Estándar: 500 mV)

Nivel de pre-salida: 4 V

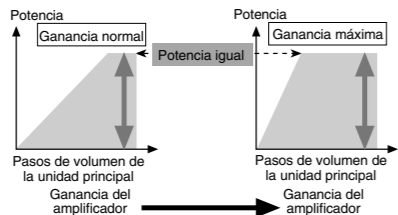
Nivel de pre-salida:  
6,5 V

- En la ilustración de arriba se muestra la ganancia ajustada a NORMAL.



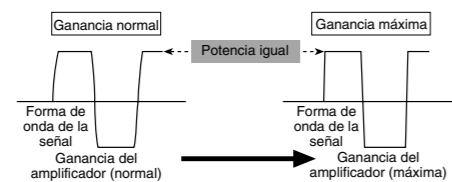
No hay necesidad de disminuir el volumen de la unidad principal y se controla una salida muy alta.

## Relación entre la ganancia del amplificador y la potencia de salida de la unidad principal



- Si se eleva la ganancia del amplificador a un nivel inadecuado, solamente la distorsión aumenta, mientras la potencia aumenta solamente un poco.

## Forma de onda de la señal con la salida de volumen alto por el control de ganancia del amplificador



- Cuando la salida alta de la forma de onda de señal está con distorsión, si se eleva la ganancia del amplificador, la potencia cambia solamente un poco.
- Si disminuye el volumen de la unidad principal y ajusta el control de ganancia del amplificador a una posición adecuada, pero todavía se corta el sonido de vez en cuando, póngase en contacto con la Estación de Servicio PIONEER autorizada más cercana.

## PRECAUCION

- Quite el terminal negativo (-) de la batería para evitar riesgo de cortocircuitos y daño a la unidad.
- Asegure el alambrado con abrazaderas de cable o cinta adhesiva. Para proteger el alambrado, envuelva cinta adhesiva alrededor de ellos en donde contacta con partes metálicas.
- No tienda cables por donde puedan calentarse, por ejemplo donde el calentador sopla sobre ellos. Si la aislación se calienta, podría resultar dañada, resultando en cortocircuito a través de la carrocería del vehículo.
- Asegúrese que los alambres no interfieran con partes móviles del vehículo como la palanca de cambios, el freno de mano o el mecanismo de deslizamiento de los asientos.
- No corte ningún cable. De otra manera, el circuito de protección podría no funcionar cuando debiera.
- Nunca alimente otro equipo cortando la aislación del cable de alimentación y conectándolo al cable. La capacidad de corriente del cable será excedida, causando sobrecalentamiento.
- No reemplace nunca el fusible por uno con un valor de régimen mayor que el fusible original. El uso de un fusible inadecuado podría causar el sobrecalentamiento o humo, así como podría causar daños al producto y lesiones, incluyendo quemaduras.

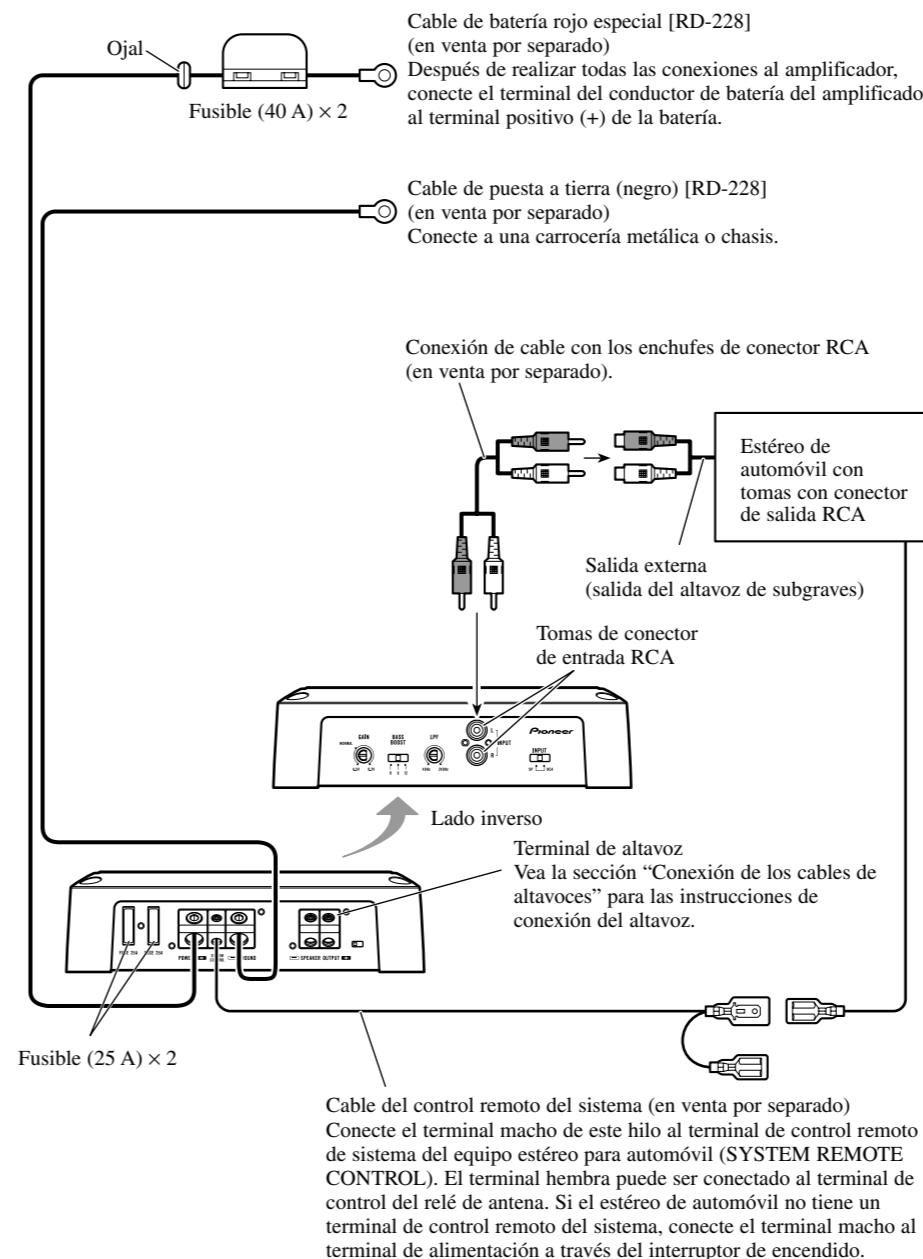
## PRECAUCION:

### Para evitar daños y/o lesiones

- No conecte a tierra (masa) el cable del altavoz directamente ni conecte un cable negativo (-) a varios altavoces.
- Esta unidad es para vehículos con una batería de 12 voltios y terminal negativo a tierra. Antes de instalar en un vehículo de recreación, camión u ómnibus, verifique el voltaje de la batería.
- Si el sistema estereofónico del coche está funcionando por un largo período de tiempo mientras el motor permanece inactivo o en marcha al ralentí, la batería puede agotarse. Apague el estéreo de automóvil cuando el motor se encuentre funcionando en marcha al ralentí o permanece inactivo.
- Si el cable del control remoto del sistema del amplificador se conecta al terminal de alimentación a través del interruptor de encendido (12 V de CC), el amplificador estará siempre activado cuando el encendido está activado, sin considerar de si el estéreo de automóvil se encuentra activado o desactivado. Debido a esto, la batería puede agotarse si deja el motor funcionando en marcha al ralentí o permanece inactivo.
- NO conecte un altavoz de subgraves con una impedancia inferior a la especificada en la sección "Conexión de los cables de altavoces". Una conexión no especificada podría causar daños, desprendimiento de humo y sobrecalentamiento del amplificador. La superficie del amplificador también podría ponerse caliente al tacto y esto podría resultar en quemaduras ligeras.
- Conecte uno de los dos altavoces de subgraves al amplificador; 1: un altavoz de subgraves con una entrada nominal de 250 W o mayor y una impedancia de 4 Ω, o 2: un altavoz con una entrada nominal de 420 W y una impedancia de 2 Ω. Si la entrada nominal y la impedancia están fuera de los rangos arriba, el altavoz de subgraves puede incendiarse, emitir humo o averiarse.
- Instale y coloque el cable de batería vendido separadamente lo más alejado posible de los cables de los altavoces. Instale y coloque el cable de batería y cable de tierra vendidos separadamente, los cables de los altavoces, y el amplificador lo más alejados posible de la antena, cable de antena y sintonizador.

## Diagrama de conexión

- Este diagrama muestra las conexiones utilizando la salida exterior (salida de altavoz de graves secundario). Deslice el interruptor de entrada hacia la derecha (RCA).



## Conexiones de terminales sin soldadura

- No conecte un cable con un hilo expuesto a los terminales de alimentación de este amplificador (terminal POWER, terminal GND, terminal de control remoto de sistema). La desconexión o ruptura del hilo puede causar un incendio o cortocircuito.
- Como el hilo se aflojará con el tiempo, se debe inspeccionar y apretarlo periódicamente como sea necesario.
- No suelde o enlace los extremos de los conductores torcidos.
- Apriete asegurándose de no fijar la vaina de aislamiento del hilo.
- Utilice la llave hexagonal suministrada para apretar y aflojar el tornillo de terminal del amplificador. Fije firmemente el hilo con lo tornillo de terminal. Sin embargo, como el apriete excesivo del tornillo de terminal del mando a distancia de sistema puede dañar el hilo, tenga cuidado en no apretar excesivamente, observando el estado del hilo cuando apriete.

## Conexión del terminal de alimentación

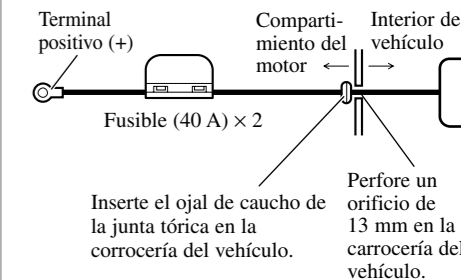
- Se recomienda utilizar el cable de batería rojo especial y el cable de tierra [RD-228], vendidos separadamente. Conecte el cable de batería directamente al terminal positivo de la batería del vehículo (+) y el cable de tierra a la carrocería del vehículo.
- A continuación se indica el tamaño recomendado para los cables (AWG: American Wire Gauge). El cable de batería y el cable de tierra deben ser del mismo tamaño.
- Utilice un hilo de 10 AWG a 20 AWG para el hilo de control remoto del sistema.

### Tamaño del cable de batería y cable de puesta a tierra

Longitud del cable	inferior a 5,7 m	inferior a 9,0 m	inferior a 14,4 m
Tamaño del cable	8 AWG	6 AWG	4 AWG

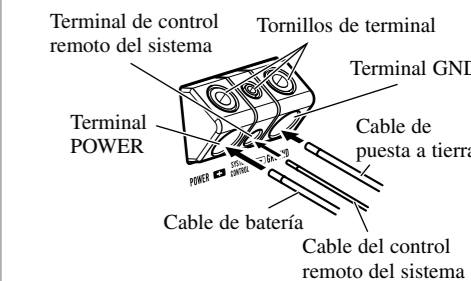
## 1. Pase el cable de batería desde el compartimiento del motor al interior del vehículo.

- Luego de hacer todas las otras conexiones al amplificador, conecte el terminal del conductor de batería del amplificador al terminal positivo (+) de la batería.



## 2. Conecte los cables al terminal.

- Fijar los cables firmemente utilizando los tornillos para terminales.



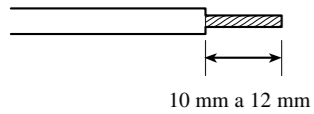
## ADVERTENCIA

Dejar de apretar firmemente el cable de puesta a tierra al terminal usando los tornillos para terminales podría causar el sobrecalentamiento del área de los terminales, así como podría causar daños y lesiones incluyendo pequeñas quemaduras.

**Conexión del terminal de salida de altavoz**

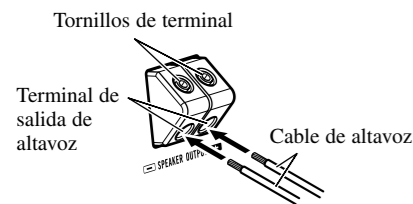
- Utilice un hilo de 10 AWG a 16 AWG para el cable de altavoz.

**1. Utilice alicates o un cortador para exponer el extremo de los hilos de altavoz unos 10 mm a 12 mm.**



**2. Conecte los cables de altavoz al terminal de salida de altavoz.**

- Fije los cables firmemente utilizando los tornillos para terminales.

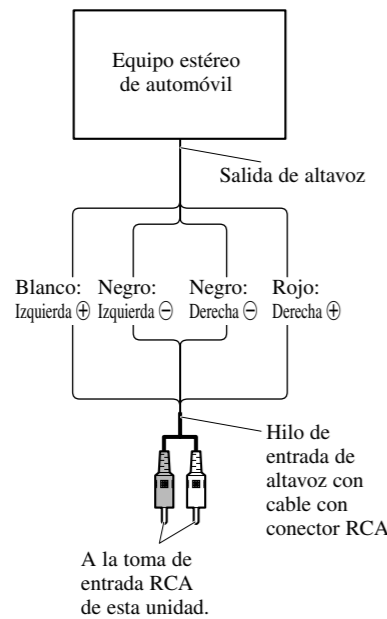


**Uso de la entrada de altavoz**

Conecte los hilos de salida de altavoz del equipo estéreo de automóvil al amplificador utilizando el hilo de entrada de altavoz suministrado con el cabo con conector RCA.

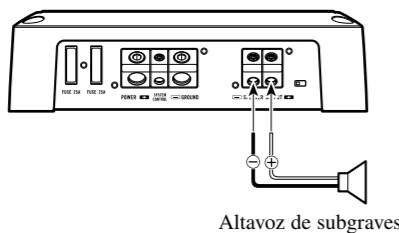
- Deslice el interruptor de entrada hacia la izquierda (SP).

**Conexiones cuando se utiliza la entrada de altavoz**



**Conexión de los cables de altavoces**

Conecte los cables de altavoz según los diagramas mostrados abajo.



**PRECAUCION**

- No lo instale en:
  - Donde podría lesionar al conductor o a los pasajeros si se detiene el vehículo bruscamente.
  - Donde podría interferir con el conductor, como por ejemplo en el piso en frente al asiento del conductor.
- Asegúrese que los cables no se enganchen en el mecanismo deslizante de los asientos, resultando en cortocircuito.
- Confirme que ninguna parte quede detrás del panel, cuando perforo un orificio para la instalación del amplificador. Asegúrese de proteger todos los cables y equipos importantes, tales como líneas de combustibles, líneas de frenos y el cableado eléctrico.
- Instale los tornillos de conexión de manera tal que la punta del tornillo no toque ningún cable. Esto es importante para evitar que los cables se corten por vibración del automóvil, lo que podría causar un incendio.
- NO permita que el amplificador entre en contacto con líquidos debido a, por ejemplo, la localización donde el amplificador esté instalado. Esto podría causar una sacudida eléctrica. El contacto con líquidos también podría causar daños y sobrecalentamiento al amplificador e altavoces. Además, la superficie del amplificador y la superficie de cualquier altavoz instalado también podrían ponerse muy calientes al tacto, pudiendo causar pequeñas quemaduras.
- Para asegurar una instalación apropiada, utilice las partes suministradas de la manera especificada. Si se utiliza cualquier otra parte que no sean las suministradas, puede dañarse las partes internas del amplificador, o pueden aflojarse y el amplificador puede dejar de funcionar.
- No reemplace nunca el fusible por uno con un valor de régimen mayor que el fusible original. El uso de un fusible inadecuado podría causar el sobrecalentamiento o humo, así como podría causar daños al producto y lesiones, incluyendo quemaduras.

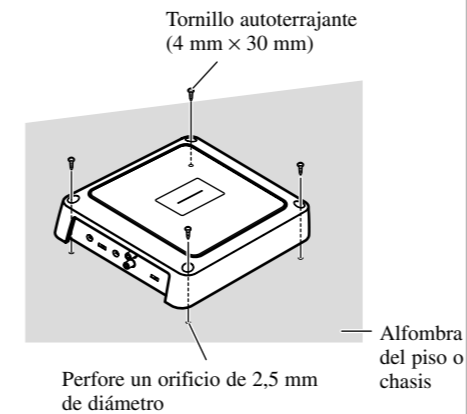
**PRECAUCION:**

**Para evitar fallas de funcionamiento y/o lesiones**

- Para asegurar la disipación de calor apropiada del amplificador, cuide de lo siguiente durante la instalación.
  - Permita un espacio adecuado en la parte superior del amplificador para una ventilación apropiada.
  - No cubra el amplificador con la cubierta de piso o alfombra.
- NO permita que el amplificador entre en contacto con líquidos debido a, por ejemplo, la localización donde el amplificador esté instalado. Esto podría causar una sacudida eléctrica. El contacto con líquidos también podría causar daños y sobrecalentamiento al amplificador e altavoces. Además, la superficie del amplificador y la superficie de cualquier altavoz instalado también podrían ponerse muy calientes al tacto, pudiendo causar pequeñas quemaduras.
- No instale el amplificador sobre superficies inestables como el tablero del neumático de repuesto.
- Confirme que ninguna parte quede detrás del panel, cuando perforo un orificio para la instalación del amplificador. Asegúrese de proteger todos los cables y equipos importantes, tales como líneas de combustibles, líneas de frenos y el cableado eléctrico.
- Realice primero conexiones provisionarias y compruebe que el amplificador y el sistema operan adecuadamente.
- Para asegurar una instalación apropiada, utilice las partes suministradas de la manera especificada. Si se utiliza cualquier otra parte que no sean las suministradas, puede dañarse las partes internas del amplificador, o pueden aflojarse y el amplificador puede dejar de funcionar.

**Ejemplo de instalación en la alfombra del piso o en el chasis**

- Ubique el amplificador en la posición en donde va a ser instalado. Inserte los tornillos autoterrajantes suministrados (4 mm x 18 mm) en los orificios de los tornillos. Presione los tornillos con un destornillador de modo que puedan dejar puntos marcados de la posición en donde irán los orificios para la instalación.
- Perfore orificios de 2,5 mm de diámetro en el punto marcado, e instale el amplificador, ya sea en la alfombra o directamente en el chasis.



Alimentación .....	CC 14,4 V (10,8 V a 15,1 V permisible)
Sistema de puesta a tierra .....	Tipo negativo
Consumo de corriente .....	17,0 A (potencia continua, 4 Ω)
Consumo de corriente promedio* .....	5,0 A (4 Ω para uno canal) 10,0 A (2 Ω para uno canal)
Fusible .....	25 A x 2
Dimensiones .....	225 mm (An) x 56 mm (Al) x 200 mm (Pr) (Sin incluir los terminales)
Peso .....	2,6 kg (No se incluyen los conductores para el cableado)
Potencia de salida máxima .....	400 W x 1 (4 Ω) / 800 W x 1 (2 Ω)
Potencia continua (14,4 V) .....	4 Ω, 20 Hz a 240 Hz, ≤ 1.0 % THD, 200 W x 1 2 Ω, 50 Hz, ≤ 1.0 % THD, 400 W x 1
Impedancia de carga .....	4 Ω (2 Ω a 8 Ω permisible)
Respuesta de frecuencia.....	10 Hz a 240 Hz (+0 dB, -3 dB)
Relación de señal a ruido .....	80 dB (IEC-Red A)
Distorsión .....	0,3% (10 W, 100 Hz)
Filtro de paso bajo .....	Frecuencia de corte: 40 Hz a 240 Hz Pendiente de corte: -12 dB/oct
Refuerzo de graves .....	Frecuencia: 50 Hz Nivel: 0 dB/6 dB/12 dB
Control de ganancia .....	RCA: 200 mV a 6,5 V Altavoz: 0,8 V / 26 V
Impedancia / nivel de entrada máxima .....	RCA: 6,5 V / 22 kΩ Altavoz: 26 V / 90 kΩ

**Nota:**

- Las especificaciones y el diseño están sujetos a posibles modificaciones sin previo aviso debido a mejoramientos.

**\*Consumo de corriente promedio**

- El consumo de corriente promedio es casi el consumo de corriente máximo de esta unidad, cuando se ingresa una señal de audio. Utilice este valor cuando tenga que trabajar con la corriente total consumida por múltiples amplificadores de potencia.